

PROTECT YOUR INVESTMENT.

Genuine Toro quality replacement parts

Trust the OEM quality of Toro Genuine Parts to ensure top-level performance from your equipment every day. Toro Genuine Parts are engineered specifically for your Toro equipment, so you know that you're getting the right part with the right specifications. We also offer 48-hour Toro-backed delivery on most parts, with support to get your equipment back in action faster.

Toro Protection Plus™ extended coverage

Toro's extended coverage can help you save money without compromising the quality of your equipment. Choose from comprehensive or drivetrain-only plans for up to 5 years or 5,000 hours and get seamless coverage that begins when the Toro Standard Warranty expires. Plans provide 100% coverage of both parts and labour, and repairs are performed by certified Toro technicians using only Toro Genuine Parts.



Always solving. Always evolving.


LEARN MORE
toro.com

toro.com


©2026 The Toro Company, Bloomington, MN 55420. All rights reserved.
All other trademarks are the property of their respective owners.

26-800-GB

Products depicted in this literature are for demonstration purposes only. Actual products offered for sale may vary in use, design, required attachments and safety features. We reserve the right to improve our products and make changes in specifications, design and standard equipment without notice and without incurring obligation. See your distributor for details on all our warranties.

 /TheToroCompany

 /ToroCompany

 /ToroCompanyEurope



2026 PERFORMANCE PARTS

QUICK REFERENCE GUIDE

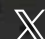




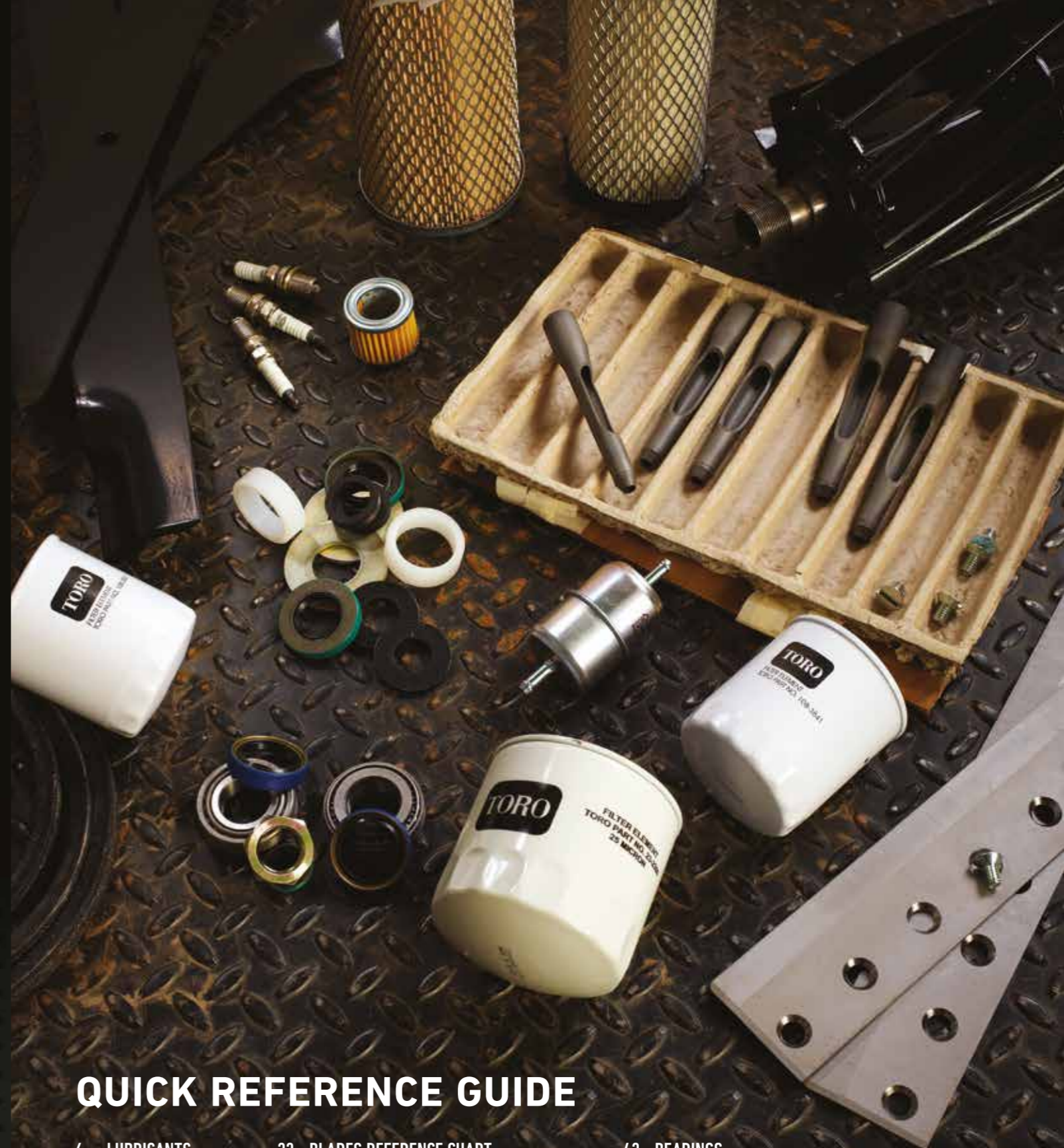
When players expect the best,
genuine parts make a difference.

Creating the best playing surface is your focus. Helping you do that faster, easier and better is ours. Count on Toro Genuine Parts to give you peace of mind when you need a replacement. And ordering parts has never been easier with myTurf Pro®.

toro.com/golf



 /TheToroCompany
 /ToroCompany
 /ToroCompanyEurope



QUICK REFERENCE GUIDE

6 LUBRICANTS	33 BLADES REFERENCE CHART	43 BEARINGS
9 MVP KITS	35 BEDKNIVES REFERENCE CHART	51 BELTS
21 FILTERS	37 SERVICE REEL REFERENCE CHART	53 ROLLERS
29 BLADES	39 TYRES	

REELS+™ EDGESERIES REELS+™

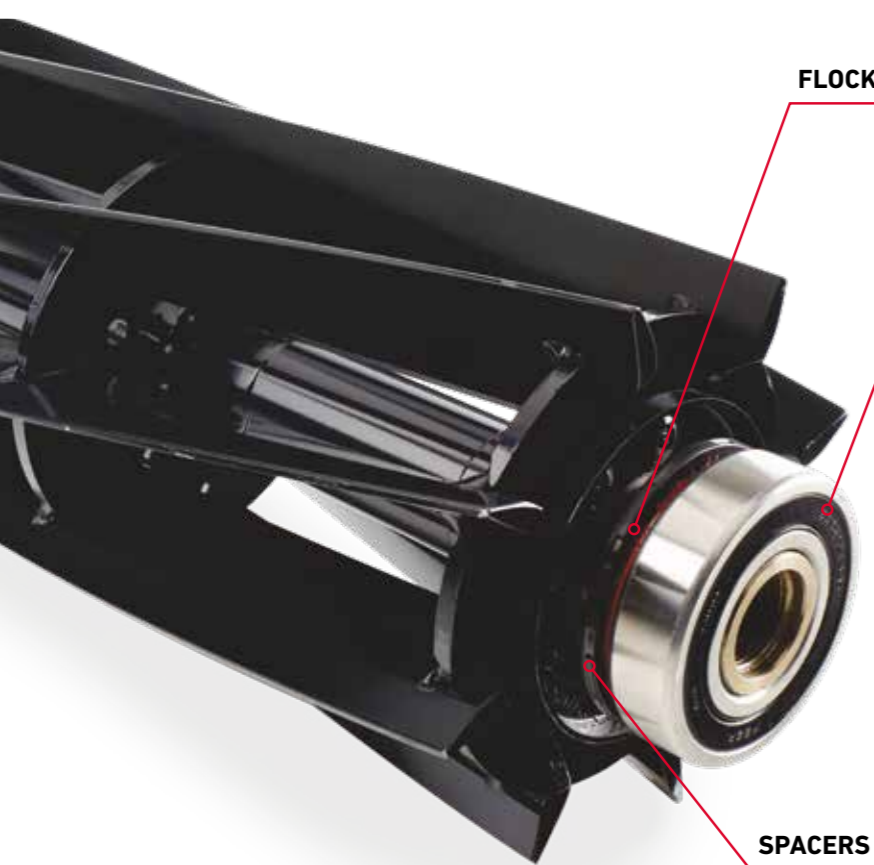
Save time, save money

PLUS Everything that you need for replacing your reels is included and pre-assembled

PLUS Parts professionally assembled at the factory

PLUS Uses all Toro Genuine Parts

PLUS Less time and labour for you, saving you money and resources



FLOCK SEALS

BEARINGS

SPACERS

Reels+ parts

140-5510	Greensmaster®/Reelmaster® reel bearing
115-3299	Greensmaster/Reelmaster flock seal
127-4284	Reelmaster washer-special

**CONTACT YOUR TORO
DISTRIBUTOR FOR DETAILS.**




In your world,
every second counts.

Get the clean cut that you want from your bedknives with less sharpening between uses. Toro bedknives are designed for the perfect fit, and stay sharper for longer. That's how we spend our time: making sure that you save yours.

Find your nearest distributor at toro.com.



-  /TheToroCompany
-  /ToroCompany
-  /ToroCompanyEurope

Toro PX hydraulic fluid

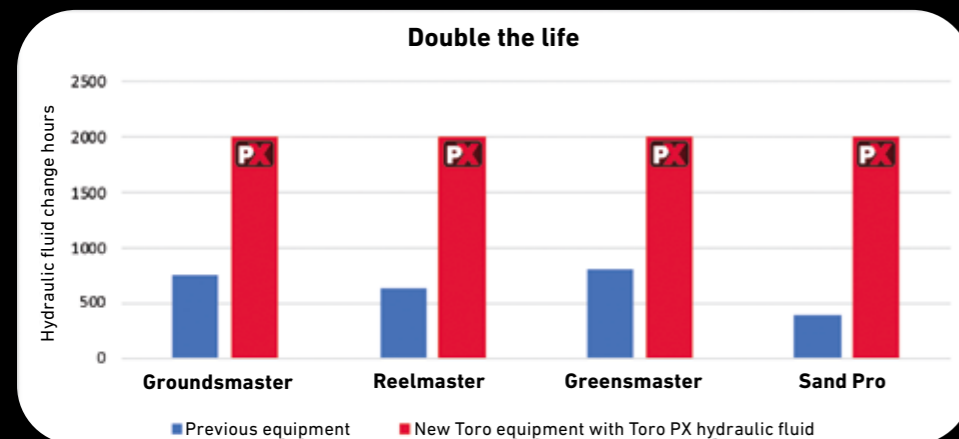
PREMIUM EXTENDED LIFE HYDRAULIC FLUID

Premium extended life performance, double the life.

New extended life PX hydraulic fluid is another great innovation from Toro. This new premium hydraulic fluid performs better and lasts longer than conventional fluids. This means that your equipment will run more smoothly and require fewer hydraulic fluid changes, saving you time and money – up to 71%. Most 2019 and newer Toro commercial equipment comes factory-filled with Toro PX hydraulic fluid and has change intervals that are twice as long as before – up to 2,000 hours!

Features

- Exceptional hydraulic efficiency: extended life vs standard fluids
- High viscosity index: maintains viscosity over wide temperature ranges
- Resistant to oxidation: anti-oxidants prevent sludge, varnish and thickening.



See the Toro equipment operator's guide for your equipment's specific maintenance interval. Not compatible with hydraulic systems using tractor fluid.

Order part numbers: 133-8086 (19 l pail)

Lubricants

	Descriptions	Part No
Toro PX extended life hydraulic fluid	19 litres	133-8086
	208 litres	133-8087
Toro Premium all-season hydraulic fluid	19 litres	108-1178
	208 litres	108-1177
Toro Premium synthetic biodegradable hydraulic fluid	19 litres	119-2157
	208 litres	119-2158
Toro Premium transmission/hydraulic fluid	19 litres	108-1184
	208 litres	108-1183
Toro Premium ATF automatic transmission fluid	208 litres	108-1185
Toro all-purpose grease	414 ml	108-1190
Toro synthetic grease ISO 220	89 ml	125-3511
Toro fuel treatment	355 ml	131-6572
Toro Premium engine oil SAE 30	19 litres	108-1197
	208 litres	108-1196
Toro Premium engine oil 10W-30	19 litres	121-6393
	208 litres	121-6392
Toro Premium engine oil 15W-40	19 litres	121-6395
	208 litres	121-6394
Toro Premium all-season gear lube 80W-90	946 ml	108-1590
	19 litres	108-1187
Toro Premium all-season gear lube 85W-140	946 ml	108-1591
Toro Premium full synthetic gear and bearing oil	946 ml	104-8772
Toro hydraulic oil dye	20 ml	44-2500
Toro HV synthetic electric motor drive oil	946 ml	147-6275
Toro aerosol terminal protection		107-0392
Toro dry lube graphite		120-4817
Toro dry lube graphite		120-4818

Always
solving.
Always
evolving.

At Toro, innovation isn't just about big ideas. It's about listening and helping you solve your most important challenges. Behind every patent is a drive to keep you ahead of the game, with future-ready products that make your job easier. No other brand has a more complete line-up, or a stronger network to support you for the life of your fleet.



QUICK REFERENCE GUIDE
MVP KITS*

Part number	Description	Quantity
Cutting unit overhaul kits		
130-0105	Greensmaster Flex 18/21 (2004-2011) reel overhaul kit	
20-9500	Washer	1
107-3233	Seal – Oil	4
108-3162	Spacer	1
107-3238	V-ring	2
121-2637	DPA adjusters MVP kit Greensmaster Flex/eFlex 1800/2100/1018/1020/1026/3000/3300/3400 series	
106-5363	Shaft – Adjuster	2
106-5344	Bushing – Flanged, keyed	4
119-4164	Washer – Wave	2
32120-93	Ring – Retaining	2
137-6130	Screw – Adjuster, bedbar	2
119-4155	Washer – Hardened	2
119-4156	Spring – Compression	2
119-4039	Nut – Hex, NI	2
99-2097	Detent	2
119-4067	Screw – HH	2
Greensmaster dethatching reel blade		
106-6355	Blade – 11 tooth (carbide)	108
107-1590	Reelmaster 5100-D/5200-D/5300-D/5400-D (1990-2001) reel overhaul kit	
253-61	Seal – Oil	1
253-96	Seal – Oil	2
254-72	Bearing – Cup	2
254-94	Bearing – Cone	2
3296-60	Nut – Lock	1
Reelmaster 5500-D/6500-D/6700-D SPA bedbar overhaul parts		
106-7536	Bedbar adjuster assembly	1
107-7409	Pin – Pivot, bedbar	1
29-8910	Washer	2
302-18	Fitting – Grease	1
3230-2	Bolt – Carriage	4
3256-74	Washer – Flat	4
3296-29	Nut – Lock	4
3296-62	Nut – Lock	1
52-2890	Bushing – Nylon	2
62-5510	Bushing – Rubber	2
93-2959	Spacer – Adjuster	1
93-7501	Bushing assembly	2
93-7502	Bushing – Flanged	2
95-0772	Spring – Compression	1
95-8752	Arm – Spring	1

Part number	Description	Quantity
Reelmaster 335-D/450-D cutting unit overhaul parts		
256-113	Bushing – Flange	2
256-252	Bearing – Flange	2
256-292	Bushing – Nylon	4
32151-71	Ring – Retaining	1
3257-3	Key – Woodruff	1
48-8880	Pin – Dowel	2
119-4151	Screw – Special	10
59-6140	Bearing	2
62-6110	Bushing assembly	4
93-1414	Seal – Grease	3
Reelmaster 4000-D cutting unit overhaul parts		
256-252	Bearing – Flange	2
256-292	Bushing – Nylon	4
32151-71	Ring – Retaining	1
48-8880	Pin – Dowel	2
119-4151	Screw – Special	10
59-6140	Bearing	2
62-6110	Bushing assembly	4
75-7570	Key	1
92-9250	Seal – Grease	1
92-9252	Bushing – Flange	2
93-1414	Seal – Grease	2
13-3629	Reelmaster Gangmower cutting unit overhaul kit	
105-0150	Seal – Grease	2
106-5408	Gasket-Cover	2
106-5409	Gasket – Gear case	2
237-21	O-Ring	2
237-38	O-Ring	2
253-117	Seal – Oil	2
253-122	Seal – Oil	2
253-84	Seal – Oil	2
254-72	Bearing – Cup	2
254-78	Bearing – Cone	4
254-79	Bearing – Cup	4
254-94	Bearing – Cone	2
257-5	Washer – Thrust	4
257-6	Bearing – Thrust	2
47-5640	Spacer – Rubber	2
119-4151	Screw – Special	11
68-7530	Bushing	2
68-9970	Guard – Seal	2
84-8200	Seal – Oil	2

Part number	Description	Quantity
120-7230	HD DPA MVP kit Reelmaster 3100-D/3550/3555/3575/5010-H/5210/5410/5510/5610/6000/7000	
120-5118	Shaft – Adjuster	2
120-5116	Washer – Wave	2
106-5344	Bushing – Flanged, keyed	4
108-0015	Washer – Flat	2
3296-33	Nut – Lock	2
137-6130	Screw – Adjuster, bedbar	2
119-4155	Washer – Hardened	2
120-5120	Spring – Compression	2
119-4039	Nut – Hex, NI	2
Seal kits		
117-2727	Hydraulic connector O-rings seal kit	
237-21	1.4 cm ORFS	10
237-22	1.7 cm ORFS	10
237-30	2 cm ORFS	10
237-65	2.5 cm ORFS	10
237-58	2 cm ORFS	10
340-65	3.7 cm oRFS	10
237-156	0.8 cm SAE	10
237-78	1.1 cm SAE	10
237-42	1.4 cm SAE	10
237-79	2 cm SAE	10
237-80	2.2 cm SAE	10
237-81	2.7 cm SAE	10
237-146	3.3 cm SAE	10
93-4132	1.3 cm (HYD trans end cap)	10
237-54	2 cm (HYD relief cartridge)	10
237-38	4.4 cm (Greensmaster 500 clutch and Reelmaster Gangmower gear case)	10
93-9783	7.3 cm (HYD motor mounting)	10
237-161	8.3 cm (transmission mounting)	10
353-949	8.3 cm (HYD motor mounting)	10
237-95	9.5 cm (HYD trans charge pump)	10
237-158	10.2 cm (HYD motor mounting)	10
108-3263	Multi Pro® open boom sprayer seal kit	
108-3266	Seal kit	1
108-3267	Seal kit	1
108-3268	Seal kit	1
106-6937	Greensmaster 3000 04610/11 DPA CU (2005-2011) DPA reel seal kit	
106-6927	Sleeve	2
106-6926	Seal	2
253-134	Seal	2
106-6929	V-ring	2
104-0532	Washer – Pulley	1

Part number	Description	Quantity
136-1010	Groundsmaster® 3280 seal overhaul rebuilt kit	
136-1021	Lip seal – shaft	1
136-1023	Gasket – end cap	1
136-1031	O-ring	1
136-1032	O-ring	1
Not serviced separately	Lip seal, journal bearing	1
Not serviced separately	O-ring, journal bearing	2
Not serviced separately	O-ring, bypass valve	1
Not serviced separately	Back-up ring	1
Not serviced separately	O-ring, bypass valve	1
Not serviced separately	O-ring, plug	2
Not serviced separately	O-ring, plug	1
Bearing kits		
121-9517	Greensmaster 3000 (2012-2015) 04709/04710 Groomer rebuild kit	
107-8105	Bearing – Ball, extended race	3
106-8530	Seal – Grease	3
120-3237	O-ring	1
360-0398	O-ring	1
251-259	Bearing – Ball	2
104-4727	Ring – Retaining	1
104-4705	Belt – Groomer	1
110-4086	Reelmaster 5210/5410/5510/5610 Reelmaster 6500-D/6700-D (2006-2021) DPA Groomer and rear roller brush bearing kit	
95-0707	Bearing – Self aligning	1
106-8530	Seal – Grease	3
108-4172	Seal – Excluder	1
108-2132	ProCore 648 coring head bearing kit (2004-2007)	
106-8871	Bearing – Ball	6
105-0965	Bearing – Ball	6
251-311	Bearing – Ball	24
106-8872	Ring – Retaining	6
131-4876	ProCore 648 coring head bearing kit (2008 and on)	
110-4556	Bearing – Ball	12
105-0965	Bearing – Ball	6
231-311	Bearing – Ball	24
32151-76	Ring – Retaining	6
110-4557	Spacer – Bearing	6

QUICK REFERENCE GUIDE
MVP KITS*

Part number	Description	Quantity
Cutting unit hydraulic hose kits		
117-0289 Groundsmaster 4300-D hydraulic hose kit		
117-0213	Hydraulic hose assembly	1
117-0211	Hydraulic hose assembly	1
117-0212	Hydraulic hose assembly	1
117-0299	Hydraulic hose assembly	4
104-9323	Hose – Hyd.	1
92-7638	Hose assembly	1
105-1215	Hose – Hyd.	4
108-6507	Hose – Hyd.	2
3334-945	Tie – Cable	15
237-21	O-ring	10
237-65	O-ring	28
106-3662	Hose – Hyd.	4
98-0642 Greensmaster 3000/3050/3100 cutting unit hydraulic hose kit		
95-5984	Hydraulic hose assembly	1
95-5985	Hydraulic hose assembly	1
95-5986	Hydraulic hose assembly	1
95-5987	Hydraulic hose assembly	1
95-5988	Hydraulic hose assembly	1
95-5989	Hydraulic hose assembly	1
140-5236 MVP kit – Greensmaster 3150 hydraulic hose kit		
139-6533	Hose assembly	1
139-6531	Hose assembly	1
105-5402	Hydraulic hose assembly	1
139-6529	Hose assembly	2
139-6532	Hose assembly	1
106-9674	Hydraulic hose assembly	1
105-5405	Hydraulic hose assembly	1
139-6530	Hose assembly	1
237-30	O-ring	6
237-65	O-ring	6
237-21	O-ring	4
237-22	O-ring	2
140-5235 MVP kit – Greensmaster 3250-5 hydraulic hose kit		
106-9674	Hydraulic hose assembly	2
139-6529	Hose assembly	2
139-6530	Hose assembly	2
139-6528	Hose assembly	2
105-5405	Hydraulic hose assembly	1
237-30	O-ring	12
237-21	O-ring	6
139-6529	Hose – Hyd. (assembly)	2
139-6530	Hose – Hyd. (assembly)	2
139-6528	Hose assembly	2

Part number	Description	Quantity
140-5233 MVP kit – Greensmaster Triflex hydraulic hose rebuild		
139-6494	Hydraulic hose assembly	1
139-6495	Hydraulic hose assembly	1
139-6536	Hose assembly	1
139-6496	Hydraulic hose assembly	1
139-6497	Hydraulic hose assembly	1
139-6535	Hose assembly	1
139-6498	Hydraulic hose assembly	1
139-6499	Hydraulic hose assembly	1
139-6534	Hose assembly	1
237-30	O-ring	12
237-21	O-ring	3
237-22	O-ring	3
117-2723 Reelmaster 4000-D cutting unit hydraulic hose kit		
98-7401	Hydraulic hose assembly	1
60-3340	Hydraulic hose assembly	1
98-7400	Hydraulic hose assembly	1
98-7403	Hydraulic hose assembly	4
58-5730	Hydraulic hose assembly	1
98-7404	Hydraulic hose assembly	2
237-22	O-ring	10
237-65	O-ring	18
104-9317 Reelmaster 5200-D/5400-D cutting unit hydraulic hose kit		
100-3876	Hydraulic hose assembly	1
100-3877	Hydraulic hose assembly	1
100-3878	Hydraulic hose assembly	1
100-3879	Hydraulic hose assembly	1
104-0057	Hydraulic hose assembly	1
104-0069	Hydraulic hose assembly	1
104-9321	Hydraulic hose assembly	1
104-9322	Hydraulic hose assembly	1
104-9323	Hydraulic hose assembly	1
98-4583	Hydraulic hose assembly	2
98-4584	Hydraulic hose assembly	1
98-4587	Hydraulic hose assembly	1
3290-379	Tie – Cable	10
99-5617	Sleeve – Protective	1
99-5648	Sleeve – Protective	4
237-30	Seal – O-ring	20
237-21	Seal – O-ring	10

Part number	Description	Quantity
117-2720 Reelmaster 5210/5410/5510/5610 cutting unit hydraulic hose kit (2008–2009)		
106-3672	Hydraulic hose assembly	4
98-4590	Hydraulic hose assembly	2
114-8868	Hydraulic hose assembly	4
106-3680	Hydraulic hose assembly	2
104-3669	Hydraulic hose assembly	1
106-3670	Hydraulic hose assembly	1
106-3671	Hydraulic hose assembly	1
3334-945	Tie – Cable	15
237-30	O-ring (ORFS 8)	20
237-21	O-ring (ORFS 4)	10
119-6955 Reelmaster 5210/5410/5510/5610 (2010+) cutting unit hydraulic hose kit		
114-0633	Hydraulic hose assembly	5
98-4590	Hydraulic hose assembly	2
117-5188	Hydraulic hose assembly	4
106-3680	Hydraulic hose assembly	2
117-5190	Hydraulic hose assembly	1
106-3670	Hydraulic hose assembly	1
3334-945	Tie – Cable	15
237-30	O-ring (ORFS 8)	10
237-21	O-ring (ORFS 4)	10
237-65	O-ring (ORFS 10)	10
104-9314 Reelmaster 5500-D reel drive hose kit		
104-0069	Hydraulic hose assembly	4
104-0057	Hydraulic hose assembly	4
104-0068	Hydraulic hose assembly	1
104-0067	Hydraulic hose assembly	1
104-0064	Hydraulic hose assembly	1
104-0058	Hydraulic hose assembly	2
104-0063	Hydraulic hose assembly	2
3290-379	Tie – Cable	10
237-30	O-ring (ORFS 8)	20
237-21	O-ring (ORFS 4)	5
237-22	O-ring (ORFS 6)	2
105-0139 Reelmaster 6500-D/6700-D (5 units) cutting unit hydraulic hose kit		
105-7901	Hydraulic hose assembly	4
105-7902	Hydraulic hose assembly	2

Part number	Description	Quantity
105-7903	Hydraulic hose assembly	4
92-7559	Hydraulic hose assembly	2
92-7560	Hydraulic hose assembly	1
99-5614	Hydraulic hose assembly	2
237-21	O-ring	10
237-30	O-ring	20
3253-4	Washer – Lock	6
3290-379	Tie – Cable	10
33114-020	Screw – HH	6
99-5617	Sleeve – Protective	5
99-5621	Guide – Hose	3
105-0140 Reelmaster 6700-D (2 wing units) cutting unit hydraulic hose kit		
105-7900	Hydraulic hose assembly	4
94-1433	Hydraulic hose assembly	2
237-21	O-ring	4
237-30	O-ring	8
3253-4	Washer – Lock	4
3290-378	Tie – Cable	4
33114-020	Screw – HH	4
3334-945	Tie – Cable	2
100-3814	Sleeve – Protective	2
99-5621	Guide – Hose	2
Roller rebuild tool kits		
140-5552 Greensmaster DPA (2004 and on) roller rebuild kit		
106-6941	Seal	2
106-6942	V-ring	2
251-347	Bearing – Ball	2
107-8133	Washer – Flat	2
107-3505	Spacer – Tool, roller	2
104-6126	Washer – Flat	2
106-9606 Reelmaster 5200-D/5400-D/5500-D/6500-D/6700-D (2001–2007) Reelmaster 5210/5410/5510/5610 (2006–2007) roller rebuild kit		
109966	Bearing – Ball	2
253-70	Seal – Oil	2
32120-62	Ring – Retaining	2
93-1251	Seal – Inner	2
93-1252	Seal – Outer	2
93-2931	Washer – Roller	2
93-3007	Seal – Oil	2

QUICK REFERENCE GUIDE
MVP KITS*

Part number	Description	Quantity
Roller rebuild tool kits (continued)		
114-5430	Reelmaster 3550/3555/3575/5210/5410/5010/5510 /5610/6000/7000 (2008 and on) and Groundsmaster 3500/4300/4500/4700 roller rebuild kit	
114-3717	Seal – Inner	2
112-5290	Bearing – Ball	2
112-7494	Seal – Outer	4
114-5411	Nut – Bearing Lock	2
140-5553	Greensmaster roller rebuild tool kit (2004 and on)	
115-0803	Groundsmaster/Reelmaster roller rebuild tool kit (2008 and on)	
147-1132	Greensmaster/Groundsmaster/Reelmaster roller drive nut tool (2004 and on)	
106-9627	Reelmaster 5200-D/5400-D Reelmaster 5500-D/ 6500-D/6700-D SPA rear roller brush rebuild kit	
106-9626	Shaft	1
105-6792	Brush – Roller	1
104-1830	J-Bolt	2
3296-2	Nut – Lock	2
Reelmaster attachment (2006–2015) single MVP kits		
137-5991	Reelmaster 5210/5410 RRB kit (replaces 03668)	
137-5992	Reelmaster 5510/5610/6500/6700 RRB Kit (replaces 03688)	
137-5993	Reelmaster 3100/7000 69 cm (27") RRB kit (replaces 03186)	
137-5994	Reelmaster 3100/7000 81.3 cm (32") RRB kit (replaces 03187)	
Reelmaster attachment (2015 and on) single MVP kits		
140-5605	Reelmaster 3550/5410/5010-H 12.7 cm (5") Univ. groomer kit	
140-5607	Reelmaster 3100/5510/5610/5010-H 17.8 cm (7")/7000 Univ. groomer kit	
133-0152	Reelmaster 3550 45.7 cm (18") RRB kit for Univ. groomer	
133-0153	Reelmaster 3555/5410/5010-H 12.7 cm (5") RRB kit for Univ Groomer	
133-0154	Reelmaster 3575/5510/5610/5010-H 17.8 cm (7") RRB kit for Univ Groomer	
133-0155	Reelmaster 3550 45.7 cm (18") RRB kit	
133-0156	Reelmaster 3550 55.9 cm (22") (2) RRB kit	
133-0157	Reelmaster 3555/5410/5010-H 12.7 cm (5") RRB kit	
133-0158	Reelmaster 3575/5510/5610/5010-H 17.8 cm (7") RRB kit	
Greensmaster/Reelmaster universal groomer boxes		
147-0835	Greensmaster 1018/1021/1026 Fix (04707), Flex/Greensmaster 3000 (04648), Reelmaster 3550/3555/5410/5010-H 12.7 cm (5") (03763) Universal Groomer box upgrade kit (137-5950, 137-0874, 137-0869, 94-6936) (2018–2020)	
137-5950	Greensmaster 1018/1021/1026 Fix (04707), Flex/Greensmaster 3000 (04648)/Reelmaster 3550/3555/5410/5010-H 12.7 cm (5") (03763) Universal Groomer box (2021 and on)	
147-0837	Reelmaster 3100 (03240)/Reelmaster 3575/5510/5610/ 5010-H 17.8 cm (7")/Reelmaster 7000 (03768) Universal Groomer box upgrade kit (140-5620, 137-0874, 137-0869, 94-6936) (2018–2020)	

QUICK REFERENCE GUIDE
MVP KITS*

Part number	Description	Quantity
140-5620	Reelmaster 3100 (03240)/Reelmaster 3575/5510/5610/5010-H 17.8 cm (7")/Reelmaster 7000 (03768) Universal Groomer box (2021 and on)	
Groundsmaster deck kits		
138-1930	Groundsmaster 3280-D/3320 side discharge spindle kit	
104-3546	Pulley – Driven	1
108-1991	Spindle housing assembly	1
108-1956	Spindle shaft assembly	1
104-3564	Seal – V-ring	1
104-8322	Washer – Hardened	1
106-7159	O-ring	1
3296-60	Nut – Lock	1
138-6416	Spacer – Spindle shaft	1
139-1039	Groundsmaster 3280-D/3320/4000-D/4100-D RD/Guardian spindle kit	
104-3546	Pulley – Driven	1
119-4546	Spindle housing assembly	1
104-3554	Spindle shaft assembly	1
104-3564	Seal – V-ring	1
104-8322	Washer – Hardened	1
106-7159	O-ring	1
3296-60	Nut – Lock	1
138-6416	Spacer – Spindle shaft	1
121-3666	Groundsmaster 3500-D/3500-G/3505-D/4500-D/4700-D spindle kit	
100-5703	Spacer and bearing assembly	1
136-3339	Spindle shaft assembly	1
253-154	Seal – Oil	2
138-6416	Spacer – Spindle shaft	1
100-5709	Nut – Spindle, special	1
302-62	Fitting – Grease	2
94-2703	Plug	1
505-7	Grease	57 g
105-7269	Groundsmaster 7200/7210 158 cm (62") Guardian 183 cm (72") Guardian tall grass kit	
112-1480-01	Plate – Right	1
112-1482-01	Plate – Left	1
104-8300	Nut – Flange	4
3230-2	Bolt – Carriage	4
Groundsmaster blade and belt kits		
110-4770	Groundsmaster 3280-D/3320 152 cm (60") SD blade and belt kit	
110-4701	Blade – Medium sail 52.1 cm	3
108-4391	Belt – Hex	1
110-4768	Groundsmaster 3280-D/3320 158 cm (62") RD Guardian blade and belt kit	
92-5608-03	Blade – Standard 55.25 cm	3
107-4788	Belt – Hex	1
110-4771	Groundsmaster 3280-D/3320 183 cm (72") SD blade and belt kit	
110-0621	Blade – Medium sail 62.2 cm	3

Part number	Description	Quantity
108-4393	Belt – Hex	1
110-4769	Groundsmaster 3280-D/3320 183 cm (72") RD Guardian blade and belt kit	
108-1958-03	Blade – Standard 62.2 cm	3
107-4738	Belt – Hex	1
132-1440	Groundsmaster 5900/5910 blade and belt kit	
112-7376	Belt – V	1
112-7377	Belt – V	6
130-9151-03	Blade – 50.8 cm	11
115-8898	Groundsmaster 5900/5910 centre and wing decks blade and belt kit	
110-5946-03	Blade – Standard 50.8 cm	11
112-7376	Belt – V	1
112-7377	Belt – V	6
105-7270	Groundsmaster 7200/7210 158 cm (62") Guardian blade and belt kit	
92-5608-03	Blade – Standard 55.2 cm	3
110-9594	Belt – V	1
110-9595	Belt – V	1
105-7271	Groundsmaster 7200/7210 183 cm (72") Guardian blade and belt kit	
108-1958-03	Blade – Standard 62.2 cm	3
110-9592	Belt – V	1
110-9593	Belt – V	1
105-7272	Groundsmaster 7200/7210 183 cm (72") SD Deck blade and belt kit	
144-3911	Blade – Medium sail 62.2 cm	3
110-9590	Belt – V	1
110-9591	Belt – V	1
Groundsmaster castor wheel kits		
95-3077	Groundsmaster 3280-D/3320 132 cm (52") SD castor wheel kit	
68-8970	Tyre and bearing assembly	2
68-8980	Spanner – Tyre	2
32153-5	Nut – Lock	2
325-19	Screw – HH	2
3256-6	Washer – Flat	2
68-8970	Groundsmaster 3280-D/3320 132 cm (52") SD castor wheel kit	
68-8970	Tyre and bearing assembly	1
110-4767	Groundsmaster 3280-D/3320 152 cm (60") SD 158 cm (62") RD/Guardian 183 cm (72") RD/SD Guardian castor wheel kit	
93-9938	20.3 cm Wheel assembly	1
327-24	Screw – HH	1
3296-53	Nut – Lock	1
Groundsmaster blade packs		
140-0028	Groundsmaster 1200 atomic blade pack	
139-7799-03	Blade – Atomic 48.3 cm	9
108-1462	Groundsmaster 3500-D/3505-D 69 cm (27") RD atomic blade pack	
107-0235-03	Blade – Atomic 69 cm	6

Part number	Description	Quantity
117-2722	Groundsmaster 4000-D 335 cm (132") RD standard blade pack	
92-5608-03	Blade – Standard 55.2 cm	7
110-6130	Groundsmaster 4000-D 335 cm (132") RD flat sail blade pack	
110-6115-03	Blade – Flat sail 55.2 cm	7
108-1450	Groundsmaster 4000-D 335 cm (132") RD atomic blade pack	
107-0214-03	Blade – Atomic 55.2 cm	7
137-5500	Groundsmaster 4000-D 335 cm (132") medium sail blade pack	
136-4370-03	Blade – Medium sail 55.2 cm	7
110-6140	Groundsmaster 4100-D 315 cm (124") RD flat sail blade pack	
110-6116-03	Blade – Flat sail 48.3 cm	7
108-1451	Groundsmaster 4100-D 315 cm (124") RD atomic blade pack	
107-0215-03	Blade – Atomic 48.3 cm	7
108-1463	Groundsmaster 4500-D 69 cm (27") RD atomic blade pack	
107-0235-03	Blade – Atomic 69 cm	5
108-0800	Groundsmaster 4500-D 69 cm (27")	
108-9026	Blade – Combination 69 cm	5
108-0800	Groundsmaster 3500-D combo blade pack	
108-9026	Blade – Combination 69 cm	5
108-1464	Groundsmaster 4700-D 69 cm (27") RD atomic blade pack	
107-0235-03	Blade – Atomic 69 cm	7
115-8896	Groundsmaster 5900/5910 (2008–2016) centre and wing decks standard blade pack	
110-5946-03	Blade – Standard 50.8 cm	11
114-0897	Groundsmaster 5900/5910 (2008–2016) centre and wing decks atomic blade pack	
110-5948-03	Blade – Atomic 50.8 cm	11
119-8020	Groundsmaster 360 atomic blade pack	
110-0624-03	Blade – Atomic 62.2 cm	3
119-8021	Groundsmaster 360 high flow blade pack	
110-0622-03	Blade – Medium flow 62.2 cm	3
Filter kits		
31196	Outcross 9060 500-hour filter kit	
108-3814	Air filter	1
125-2915	Fuel/water separator	1
125-7025	Engine filter	2
125-8752	Oil fuel filter	1
121-8457	Filter – Air	
30065	Greensmaster 500/800/1000/1600 and Flex 18/21 (up to 2011) filter kit	
93-8636	Air filter	1
93-8637	Air filter	1
93-8584	Spark plug	1
30097	Greensmaster 500/800/1000/1600 and Flex 18/21 (2012 and on) filter kit	

QUICK REFERENCE GUIDE
MVP KITS*

Part number	Description	Quantity
Filter kits (continued)		
121-0618	Element set	1
121-0547	Spark plug	1
30064	Greensmaster 3150 (up to 2011) 400-hour filter kit	
107-7817	Oil filter	5
107-9531	Hydraulic oil filter	1
92-0527	Air cleaner cartridge	1
92-0530	Filter element	1
131-6262	Greensmaster 3120/3150-D (2012 and on) 800-hour filter kit	
107-7817	Oil filter	9
92-0527	Air cleaner cartridge	8
107-9531	Hydraulic oil filter	2
94-2690	Fuel filter	1
108-6945	Spark plug	2
131-8785	Greensmaster 3150 (2012 and on) 800-hour standard filter kit	
107-7817	Oil filter	8
92-0527	Air cleaner cartridge	8
107-9531	Hydraulic oil filter	1
94-2690	Fuel filter	1
108-6945	Spark plug	2
44955	Greensmaster 3120/3150 MVP 1,000-hour filter kit (units with PX hydraulic fluid) (2019 and on)	
92-0527	Air cleaner cartridge	10
107-7817	Engine oil filter	10
94-2690	Fuel filter	2
108-6945	Spark plug	2
107-9531	Hydraulic filter	1
121-2583	Fuel filter – In-line	
30018	Greensmaster 3250-D (2003–2006) 400-hour filter kit	
108-3842	Engine oil filter	5
107-9531	Hydraulic oil filter	1
108-3811	Air filter	2
30062	Greensmaster 3250-D (2007–2011) 400-hour filter kit	
108-3842	Engine oil filter	3
107-9531	Hydraulic oil filter	1
108-3811	Air filter	2
112-9188	Filter element	1
30086	Greensmaster 3250-D (2012 and on) 500-hour filter kit	
115-8189	Engine oil filter (Kubota D902)	4
107-9531	Hydraulic oil filter	1

Part number	Description	Quantity
108-3811	Air filter	2
110-9049	Filter – Spin on	1
44968	Greensmaster 3250-D MVP 1,000-hour filter kit (units with PX hydraulic fluid) (2019 and on)	
115-8189	Engine oil filter	11
108-3811	Air filter	5
110-9049	Fuel filter – Spin on	2
107-9531	Hydraulic oil filter	1
30042	Greensmaster 3300/3320 400-hour filter kit	
108-5194	Hydraulic oil filter	1
107-7817	Engine oil filter	5
44969	Greensmaster 3300/3320 MVP 1,000-hour filter kit (units with PX hydraulic fluid) (2019 and on)	
92-0527	Air cleaner cartridge	10
107-7817	Engine oil filter	10
94-2690	Fuel filter	2
108-6945	Spark plug	2
108-5194	Hydraulic oil filter	1
30043	Greensmaster 3400/3420 400-hour filter kit	
108-3811	Air filter	1
108-5194	Hydraulic oil filter	1
115-8189	Engine oil filter	3
44970	Greensmaster 3400/3420 TriFlex MVP 1,000-hour filter kit (units with PX hydraulic fluid) (2019 and on)	
115-8189	Engine oil filter	11
108-3811	Air filter	5
110-9049	Fuel filter – Spin on	2
108-5194	Hydraulic oil filter	1
44971	Greensmaster 3360 eTriflex MVP 400-hour filter kit (2019 and on)	
119-5852	Oil filter	4
120-7448	Air filter	2
30016	Reelmaster 3100-D (1999–2007) 400-hour filter kit	
108-3841	Engine oil filter	3
54-0110	Hydraulic oil filter	3
108-3811	Air filter	2
98-9764	Fuel/water separator	1
108-3828	Fuel filter – In-line	1
44963	Reelmaster 3100-D (2008 and on) 400-hour filter kit	
108-3841	Engine oil filter	3
54-0110	Hydraulic oil filter	2
108-3811	Air filter	2
110-9049	Fuel/water separator	1
30090	Reelmaster 3550-D/3555-D/3575-D 400-hour filter kit	
108-3841	Engine oil filter	3
86-3010	Transmission oil filter	3
108-3811	Air filter	2

Part number	Description	Quantity
110-9049	Filter – Spin on	1
110-9049	Fuel/water separator	1
30012	Reelmaster 4000-D (2002–2007) 400-hour filter kit	
104-5169	Engine oil filter	3
86-6110	Hydraulic oil filter	1
108-3828	Fuel filter – In-line	1
98-9764	Fuel/water separator	1
108-3812	Air filter – Outer	1
108-3813	Air filter – Inner	1
30061	Reelmaster 4000-D (2008 and on) 400-hour filter kit	
104-5169	Engine oil filter	3
86-6110	Hydraulic oil filter	1
98-9764	Fuel/water separator	1
108-3812	Air filter – Outer	1
108-3813	Air filter – Inner	1
30015	Reelmaster 5200-D/5400-D 400-hour filter kit	
108-3841	Engine oil filter	3
110-4146	Transmission oil filter	1
108-3828	Fuel filter – In-line	1
108-3810	Air filter	1
98-9764	Fuel/water separator	1
30039	Reelmaster 5210/5410/5510 (2006–2007) 400-hour filter kit	
108-3841	Engine oil filter	4
108-3828	Fuel filter – In-line	1
108-3810	Air filter	1
98-9764	Fuel/water separator	1
30054	Reelmaster 5210/5410/5510 Pre Tier 4 (2008 and on) 400-hour filter kit	
108-3841	Engine oil filter	3
108-3810	Air filter	1
110-9049	Fuel/water separator	1
94-2621	Hydraulic oil filter	1
86-3010	Hydraulic oil filter	1
30247	Reelmaster 5010-H 800-hour filter kit	
108-3841	Engine oil filter	6
110-9049	Fuel/water separator	2
86-3010	Hydraulic oil filter	1
108-3810	Air filter	1
44959	Reelmaster 5010-H (non-Tier 4) MVP 1,000 filter kit (units with PX hydraulic fluid) (2019 and on)	
108-3810	Air filter	2
108-3841	Engine oil	7
94-2621	Filter element	1
86-3010	Transmission oil filter	1
110-9049	Fuel filter	2

QUICK REFERENCE GUIDE
MVP KITS*

Part number	Description	Quantity
44966	Reelmaster 5010-H (Tier 4) MVP 1,000-hour filter kit (units with PX hydraulic fluid) (2019 and on)	
108-3841	Air filter	7
110-9049	Fuel filter – Spin on	2
86-3010	Transmission oil filter	1
108-3810	Fuel filter	2
30091	Reelmaster 5410-G/5510-G 800-hour MVP filter kit	
108-3810	Air filter	1
108-3841	Oil filter	4
94-2621	Filter element	1
86-3010	Transmission oil filter	1
30093	Reelmaster 5410-D/5510-D Tier 4 final 800-hour MVP filter kit	
108-3810	Air filter	1
125-7025	Oil filter	3
94-2621	Filter element	1
86-3010	Transmission oil filter	1
125-2915	Filter – Spin on	2
125-8752	Fuel filter	2
44964	Reelmaster 5410/5510 Groundsmaster 4300 MVP 1,000-hour filter kit (Tier 4) (units with PX hydraulic fluid) (2019 and on)	
108-3810	Air filter	2
125-7025	Engine oil filter	7
94-2621	Filter element	1
86-3010	Transmission oil filter	1
125-2915	Fuel filter Ws	2
125-8752	Filter fuel/oil	2
30038	Reelmaster 5500-D 400-hour filter kit	
108-3841	Engine oil filter	5
110-4146	Transmission oil filter	1
94-2621	Hydraulic oil filter	1
108-3810	Air filter	1
98-9764	Fuel/water separator	1
108-3828	Fuel filter – In-line	1
30040	Reelmaster 5610 (2006–2007) 400-hour filter kit	
108-3841	Engine oil filter	4
108-3828	Fuel filter – In-line	1
108-3812	Air filter	1
98-9764	Fuel/water separator	1
30055	Reelmaster 5610 (2008-2012) 400-hour filter kit	
108-3841	Engine oil filter	3
108-3812	Air filter	1
110-9049	Fuel/water separator	1
94-2621	Hydraulic oil filter	1
86-3010	Hydraulic oil filter	1

QUICK REFERENCE GUIDE
MVP KITS*

Part number	Description	Quantity
Filter kits (continued)		
44960	Reelmaster 5610 (non-Tier 4) MVP 1,000-hour filter kit (units with PX hydraulic fluid) (2019 and on)	
108-3812	Air filter	2
108-3841	Engine oil filter	7
94-2621	Filter element	1
86-3010	Filter oil transmission	1
110-9049	Fuel filter – Spin on	2
30014	Reelmaster 6500-D/6700-D (2003–2007) 400-hour filter kit	
108-3841	Engine oil filter	3
108-3828	Fuel filter – In-line	1
98-9764	Fuel/water separator	1
108-3812	Air filter – Outer	1
108-3813	Air filter – Inner	1
94-2621	Hydraulic oil filter	1
30057	Reelmaster 6500-D/6700-D (2008 and on) 400-hour filter kit	
108-3841	Engine oil filter	3
110-9049	Fuel/water separator	1
108-3812	Air filter – Outer	1
108-3813	Air filter – Inner	1
94-2621	Hydraulic oil filter	1
30056	Reelmaster 7000-D 400-hour filter kit (2008 and on) 400-hour filter kit	
104-5169	Engine oil filter	3
75-1310	Hydraulic oil filter – Pump	1
94-2621	Hydraulic oil filter – Manifold	1
110-9049	Fuel/water separator	1
108-3814	Air filter – Outer	1
108-3816	Air filter – Inner	1
30261	Groundsmaster 360/7210 Tier 4 final Yanmar (2015 and on) 400-hour filter kit	
108-3810	Filter – Air	1
125-7025	Filter	1
108-5194	Filter – Oil, hydraulic	1
125-2915	Filter – Spin on	1
125-8752	Filter – Fuel	1
30051	Groundsmaster 3280-D (2008–2015) 400-hour filter kit	
108-3841	Engine oil filter	3
23-2300	Transmission oil filter	2
110-9049	Fuel/water separator	1
108-3810	Air filter	1
30262	Groundsmaster 3280-D (2016 and on) 400-hour filter kit	
108-3841	Engine oil filter	3
54-0110	Transmission oil filter	2
110-9049	Fuel/water separator	1
108-3810	Air filter	1

Part number	Description	Quantity
30058	Groundsmaster 3500-D/3505-D Turbo (2008–2012) 400-hour filter kit	
108-3841	Engine oil filter	3
86-3010	Hydraulic oil filter	3
110-9049	Fuel/water separator	1
108-3810	Air filter	2
30090	Groundsmaster 3500-D (model 30807/30849) 400-hour filter kit	
108-3841	Engine oil filter	3
86-3010	Transmission oil filter	3
108-3811	Air filter	2
110-9049	Filter – Spin on	1
110-9049	Fuel/water separator	1
44962	Groundsmaster 3500-D (non-Tier 4) MVP 1,000-hour filter kit (units with PX hydraulic fluid) (2019 and on)	
108-3810	Air filter	5
108-3841	Engine oil filter	7
86-3010	Transmission oil filter	1
110-9049	Fuel filter	2
30246	Groundsmaster 3500G (Model 30809) 400-hour filter MVP kit	
108-3811	Air filter	2
115-8189	Engine oil filter	3
86-3010	Hydraulic oil filter	3
121-3625	Fuel pump filter	1
30029	Groundsmaster 4000-D/41000-D/4500-D/4700-D (2002–2008) 400-hour filter kit	
104-5169	Engine oil filter	3
75-1310	Hydraulic oil filter – Pump	1
94-2621	Hydraulic oil filter – Manifold	1
98-9764	Fuel/water separator	1
108-3828	Fuel filter – In-line	1
108-3814	Air filter – Outer	1
108-3816	Air filter – Inner	1
30056	Groundsmaster 4000-D/41000-D/4500-D/4700-D (2008 and 2012) 400-hour filter kit	
104-5169	Engine oil filter	3
75-1310	Hydraulic oil filter – Pump	1
94-2621	Hydraulic oil filter – Manifold	1
110-9049	Fuel/water separator	1
108-3814	Air filter – Outer	1
108-3816	Air filter – Inner	1

Part number	Description	Quantity
30089	Groundsmaster 4000-D/4100-D/4500-D/4700-D Tier 4 800-hour filter MVP kit Yanmar engine	
125-7025	Oil filter	3
75-1310	Hydraulic oil filter	1
94-2621	Hydraulic oil filter	1
115-9793	Breather	1
108-3814	Air filter	1
108-3816	Air filter	1
110-9049	Filter – Spin on	2
110-4812	Fuel filter	1
30408	Groundsmaster 4000-D/4100-D/4500-D/4700 Tier 4 final (2013 and on) 800-hour filter MVP kit	
125-7025	Oil filter	3
75-1310	Hydraulic oil filter	1
94-2621	Hydraulic oil filter	1
115-9793	Breather	1
108-3814	Air filter	1
108-3816	Air filter	1
125-2915	Filter – Spin on	2
125-8752	Fuel filter	2
110-4812	Axle vent assembly	1
110-4815	Insert filter assembly	1
44967	Groundsmaster 4000/4100 MVP 1,000-hour filter kit (units with PX hydraulic fluid) (2019 and on)	
125-7025	Engine oil filter	2
75-1310	Hydraulic filter	1
94-2621	Element	1
115-9793	Breather	1
125-2915	Fuel filter water separator	2
125-8752	Fuel filter	2
108-3814	Air filter	2
108-3816	Air filter	2
30055	Groundsmaster 4300 400-hour filter kit (2008–2012)	
108-3841	Engine oil filter	3
108-3812	Air filter	1
110-9049	Fuel/water separator	1
94-2621	Hydraulic oil filter	1
86-3010	Hydraulic oil filter	1
30093	Groundsmaster 4300-D 800-hour MVP filter kit (2012 and on)	
108-3810	Air filter	1
125-7025	Oil filter	3
94-2621	Filter element	1
86-3010	Transmission oil filter	1
125-2915	Filter – Spin on	2
125-8752	Fuel filter	2

QUICK REFERENCE GUIDE
MVP KITS*

Part number	Description	Quantity
44964	Groundsmaster 4300 MVP 1,000-hour filter kit (Tier 4) (units with PX hydraulic fluid) (2019 and on)	
108-3810	Air filter	2
125-7025	Engine oil filter	7
94-2621	Filter element	1
86-3010	Transmission oil filter	1
125-2915	Fuel filter Ws	2
125-8752	Fuel filter/oil	2
30041	Groundsmaster 5900/5910 400-hour filter kit	
130-8860	Engine oil filter	2
86-6110	Hydraulic oil filter – Main	1
75-1310	Hydraulic oil filter – PTO	1
115-5471	Fuel/water separator	1
117-2792	Fuel filter – AT engine	1
31609	Groundsmaster 5900 Tier 4 Final 400-hour filter kit	
125-7025	Oil filter	2
75-1310	Hydraulic oil filter – PTO	1
86-6110	Hydraulic oil filter – Main	1
125-2915	Filter – Spin on	1
125-8752	Fuel filter	1
44958	Groundsmaster 5900/5910 MVP 1,000 filter kit (units with PX hydraulic fluid) (2019 and on)	
125-7025	Oil filter	2
75-1310	Hydraulic filter	1
86-6110	Hydraulic filter	1
125-2915	Fuel filter water separator	2
125-8752	Fuel filter	2
108-3815	Air filter	2
130-9070	Safety element	2
30037	Groundsmaster 7200/7210 (2007) 400-hour filter kit	
108-3841	Engine oil filter	3
108-5194	Transmission oil filter	2
98-9764	Fuel/water separator	1
108-3810	Air filter	1
108-3828	Fuel filter – In-line	1
30052	Groundsmaster 7200/7210 (2008–2014) 400-hour filter kit	
108-3841	Engine oil filter	3
108-5194	Transmission oil filter	1
110-9049	Fuel/water separator	1
108-3810	Air filter	1
30035	Sand/Infield Pro 3040/5040 400-hour filter kit	
107-7817	Engine oil filter	9
54-0110	Hydraulic oil filter	2
108-3811	Air filter	2

**QUICK REFERENCE GUIDE
FILTERS***

Equipment	Description	Part No
Greensmaster walkers		
Greensmaster 500/800/1000/1600/2600	Maintenance kit (2012 and on)	30097
	Air filter element – Main	93-8636
	Air filter element – Wrapper	93-8637
	Gas fuel filter screen (Greensmaster 1000 1995–mid-1996 and on only)	93-8684
	Gas fuel filter screen	94-6826
Greensmaster Flex 18/21	Maintenance kit (2012 and on)	30097
	Air filter element – Main	93-8636
	Air filter element – Wrapper	121-0618
	Gas fuel filter screen	121-0685
Greensmaster riders		
Greensmaster 3000	Engine oil filter breather element	235118
	Air filter element – Main	4508302
	Air filter element – Wrapper	4508301
	Fuel filter – In-line	108-3831
	Hydraulic oil filter element	74-3570
	Air filter element	92-0530
Greensmaster 3000-D	Engine oil filter	108-3841
	Air filter element	108-3833
	Fuel filter diesel – Electric pump	43-2550
	Fuel filter element – Diesel	63-8300
	Hydraulic oil filter	74-3570
Greensmaster 3050/3100	Engine oil filter	107-7817
	Air filter element – Main	92-0527
	Fuel filter–In-line	94-2690
	Hydraulic oil filter	74-3570
Greensmaster 3150	400-hour filter kit (up to 2011)	30064
	800-hour filter kit (2013 and on)	131-6262
	1,000-hour MVP kit (2019 and on)	44955
	Engine oil filter	107-7817
	Air filter element – Main	92-0527
	Fuel filter – In-line	94-2690
	Hydraulic oil filter	107-9531
Greensmaster 3200-D	Engine oil filter	85-4930
	Air filter element	108-3811
	Diesel fuel filter	130336040
	Hydraulic oil filter element	75-1310

Equipment	Description	Part No
Greensmaster 3250-D	400-hour filter kit (2003–2006)	30018
	400-hour filter kit (2007–2011)	30062
	500-hour filter kit (2012 and on)	30086
	1,000-hour MVP kit (2019 and on)	44968
	Engine oil filter (2007–2011)	108-3842
	Engine oil filter (2012 and on Kubota)	115-8189
	Air filter element	108-3811
	Air filter safety	98-2982
	Diesel fuel filter element (2000–2006)	100-3192
	Bio-diesel fuel filter element (2007–2011)	112-9188
	Filter – Spin on	110-9049
	Hydraulic oil filter element (2000–2002)	75-1310
	Hydraulic oil filter element (2003 and on)	107-9531
Greensmaster 3300/3320	400-hour filter kit	30042
	1,000-hour MVP kit (2019 and on)	44969
	In-line fuel filter	115-7854
	Fuel filter	94-2690
	Hydraulic oil filter	108-5194
Greensmaster 3360 (eTriFlex)	400-hour MVP kit (2019 and on)	44971
	Filter – Fuel in-line	115-7854
	Filter – Element air	120-7448
Greensmaster 3400/3420	400-hour filter kit	30043
	1,000-hour MVP kit (2019 and on)	44970
	Engine oil filter	115-8189
	Air filter	108-3811
	Diesel fuel filter (2008 and on)	110-9049
	Hydraulic oil filter element	108-5194
Reelmaster		
Reelmaster 3100	400-hour filter kit (1999–2007)	30016
	1,000-hour filter kit (2019 and on)	44963
	Engine oil filter	108-3841
	Engine oil filter breather element	98-9493
	Air filter element (2005 and on)	108-3811
	In-line plastic diesel fuel filter (1999–2007 and 2010)	98-7612
	In-line metal diesel fuel filter (1999–2007)	108-3828
	Diesel fuel filter element (1999–2007)	98-9764
	Diesel fuel filter element (2008 and on)	110-9049
	In-line bio-diesel kit	112-7836
	Bio-diesel kit element	110-9015
	Hydraulic oil filter element	54-0110
	Filter head	92-5821

Equipment	Description	Part No
Reelmaster 3550-D	400-hour filter kit	30090
	1,000-hour MVP kit (2019 and on) Tier 4	44963
	Air filter	108-3811
	Engine oil filter	108-3841
	Transmission oil filter	86-3010
	Filter – Spin on	110-9049
	Filter head	92-5821
Reelmaster 5100-D	Engine oil filter	108-3841
	Air filter element	108-3833
	Air filter pre-cleaner assembly	48-7430
	Diesel fuel filter element separator	63-8300
	Diesel electric fuel pump filter (EFP)	43-2550
	Hydraulic oil filter element-Reservoir	75-1310
	Hydraulic oil filter element-Trans	110-4146
	Hydraulic oil filter element-Front axle	75-6340
Reelmaster 5210/5410/5510	400-hour filter kit (2006–2007)	30039
	400-hour filter kit (2008 and on) non-Tier 4	30054
	1,000-hour MVP kit (2019 and on) non-Tier 4	44959
	1,000-hour MVP kit (2019 and on) Tier 4	44964
	Engine oil filter	108-3841
	Air filter element	108-3810
	In-line plastic diesel fuel filter (2006–2007)	98-7612
	In-line metal diesel fuel filter (2006–2007)	108-3828
	Diesel fuel filter element (2006–2007)	98-9764
	Diesel fuel filter element (2008 and on)	110-9049
	In-line bio-diesel kit	112-7836
	Bio-diesel kit element	110-9015
	Filter head	92-5821
Reelmaster 5410G/5510G	800-hour filter kit	30091
	Air filter	108-3810
	Oil filter	108-3841
	Filter element	94-2621
	Transmission oil filter	86-3010
Reelmaster 5410-D/5510-D	800-hour filter kit Tier 4 final	30093
	Air filter	108-3810
	Engine filter	125-7025
	Filter element	94-2621
	Transmission oil filter	86-3010
	Filter – Spin on	125-2915
	Fuel filter	125-8752

Equipment	Description	Part No
Reelmaster 5010-H	800-hour filter kit	30247
	1,000-hour MVP kit (2019 and on)	44966
	Engine oil filter	108-3841
	Fuel/water separator	110-9049
	Hydraulic oil filter	86-3010
	Air filter	108-3810
Reelmaster 5200-D/5400-D	400-hour filter kit	30015
	Engine oil filter	108-3841
	Engine oil filter breather element	98-9493
	Air filter element (2005 and on)	108-3810
	Air filter pre-cleaner assembly	48-7430
	In-line plastic diesel fuel filter (1998)	98-7612
	In-line metal diesel fuel filter (1998)	108-3828
	Diesel fuel filter assembly (1991–2001)	99-8351
	Diesel fuel filter element (1991–2001)	99-8358
	In-line plastic diesel fuel filter (2002 and on)	98-7612
	In-line metal diesel fuel filter (2002 and on)	108-3828
	Diesel fuel filter element separator	98-9764
	In-line bio-diesel kit	112-7836
	Bio-diesel fuel filter element	110-9015
	Hydraulic oil filter element-Reservoir	75-1310
	Hydraulic oil filter element-Trans	110-4146
	Hydraulic oil filter element-Front axle	75-6340
Reelmaster 5300-D	Engine oil filter	112-8409
	Air filter element	108-3833
	Air filter pre-cleaner assembly	48-7430
	Diesel fuel filter element separator	63-8300
	Diesel electric fuel pump	43-2550
	Hydraulic oil filter element-Reservoir	75-1310
	Hydraulic oil filter element-Trans	110-4146
	Hydraulic oil filter element-Front axle	75-6340
Reelmaster 5500-D	400-hour filter kit	30038
	Engine oil filter	108-3841
	Engine oil breather element	98-9493
	Air filter element (2005 and on)	108-3810
	Air filter pre-cleaner assembly	48-7430
	In-line diesel fuel filter (2000–2001)	99-8351
	In-line plastic diesel fuel filter (2002 and on)	98-7612
	In-line metal diesel fuel filter (2002 and on)	108-3828
	Diesel fuel filter element separator	98-9764
	In-line bio-diesel kit	112-7836
	Bio-diesel fuel filter element	110-9015
	Hydraulic oil filter element-Reservoir	94-2621
	Hydraulic oil filter element-Trans	110-4146
	Hydraulic oil filter element-Front axle	75-6340

**QUICK REFERENCE GUIDE
FILTERS***

**QUICK REFERENCE GUIDE
FILTERS***

Equipment	Description	Part No
Reelmaster (continued)		
Reelmaster 5610	400-hour filter kit (2006–2007)	30040
	400-hour filter kit (2008–2012)	30055
	1,000-hour MVP kit (2019 and on) non-Tier 4	44960
	Engine oil filter	108-3841
	Air filter element	108-3812
	In-line plastic diesel fuel filter (2006–2007)	98-7612
	In-line metal diesel fuel filter (2006–2007)	108-3828
	Diesel fuel filter element (2006–2007)	98-9764
	Diesel fuel filter element (2008 and on)	110-9049
	In-line bio-diesel kit	112-7836
Bio-diesel fuel filter element	110-9015	
Hydraulic oil filter element-Steering	86-3010	
Hydraulic oil filter element	94-2621	
Reelmaster 6500-D/6700-D	400-hour filter kit (2003–2007)	30014
	400-hour filter kit (2008 and on)	30057
	Engine oil filter (1995–2001)	108-3837
	Engine oil filter (2001 and on)	108-3841
	Engine oil breather element (2001 and on)	98-9493
	Air filter – Outer	108-3812
	Air filter – Inner	108-3813
	Diesel fuel filter element (1995–2001)	76-5220
	Diesel fuel filter assembly (2001–2002)	99-8351
	Diesel fuel filter element (2001–2002)	99-8358
In-line plastic diesel fuel filter (2003–2007)	98-7612	
In-line metal diesel fuel filter (2003–2007)	108-3828	
Diesel fuel filter element (2003–2007)	98-9764	
Diesel fuel filter element (2008 and on)	110-9049	
In-line bio-diesel kit	112-7836	
Bio-diesel kit element	110-9015	
Hydraulic oil filter element	94-2621	
Reelmaster 335-D/3500-D	Engine oil filter	108-3837
	Air filter element	108-3833
	Diesel fuel filter element	76-5220
Reelmaster 450-D/4500-D	Hydraulic oil filter element	86-3010
	Engine oil filter	108-3835
	Air filter element	108-3833
Air filter pre-cleaner assembly	48-7430	
Diesel fuel filter element	60-5470	
Hydraulic oil filter element (1986–1992)	69-1720	
Hydraulic oil filter element (1993 and on)	86-6110	

Equipment	Description	Part No	
Reelmaster 4000-D	400-hour filter kit (2002–2007)	30012	
	400-hour filter kit (2008 and on)	30061	
	Engine oil filter	104-5169	
	Engine oil breather element	98-7419	
	Air filter – Outer	108-3812	
	Air filter – Inner	108-3813	
	In-line plastic diesel fuel filter (1998–2001)	98-7612	
	In-line metal diesel fuel filter (1998–2001)	108-3828	
	In-line diesel fuel filter assembly (2002–2003)	99-8351	
	In-line diesel fuel filter element (2002–2003)	99-8358	
In-line plastic diesel fuel filter (2004–2007)	98-7612		
In-line metal diesel fuel filter (2004–2007)	108-3828		
Diesel fuel filter element separator (1998–2001)	76-5220		
Diesel fuel filter element separator (2002 and on)	98-9764		
In-line bio-diesel kit	112-7836		
Bio-diesel kit element	110-9015		
Hydraulic oil filter element	86-6110		
Reelmaster 7000-D	Engine oil filter	104-5169	
	Air filter – Outer	108-3814	
	Air filter – Inner	108-3816	
	Gas fuel filter element (2008 and on)	110-9049	
	Hydraulic oil filter – AT pump	75-1310	
	Hydraulic oil filter – AT manifold	94-2621	
	Oil filter	93-2242	
	MVP kit, 1,000 hour (2019 and on)	44967	
	Groundsmaster		
	Groundsmaster 3200	Engine oil filter	135-4181
Air filter element – Main		108-3811	
Fuel filter element		134-3085	
Water/fuel separator filter		110-9049	
Hydraulic oil filter – Transmission		86-3010	
Groundsmaster 3300/3310	Engine oil filter	125-7025	
	Air filter element	108-3810	
	Fuel filter element	139-6017	
	Water/fuel separator filter	125-2915	
	Hydraulic oil filter – Transmission	86-3010	
Groundsmaster e3200	Hydraulic oil filter – Transmission	86-3010	

Equipment	Description	Part No
Groundsmaster 3280-D	400-hour filter kit (2005–2007)	30034
	400-hour filter kit (2008–2015)	30051
	400-hour filter kit (2016 and on)	30262
	Engine oil filter	108-3841
	Air filter element (2005 and on)	108-3810
	In-line plastic diesel fuel filter (2005–2007)	98-7612
	In-line metal diesel fuel filter (2005–2007)	108-3828
	Diesel fuel filter element (2005–2007)	98-9764
	Diesel fuel filter element (2008 and on)	110-9049
	In-line bio-diesel fuel filter kit	112-7836
Bio-diesel fuel filter element	110-9015	
Hydraulic oil filter element – Trans	23-2300	
Groundsmaster 3320	Engine oil filter	108-3842
	Air filter element (2005 and on)	108-3810
	In-line gas fuel filter	108-3854
Hydraulic oil filter element – Trans	23-2300	
Groundsmaster 3500-D/3505-D	400-hour filter kit (2002–2007)	30027
	400-hour filter kit (2008–2012)	30058
	400-hour filter kit (2013 and on)	30090
	1,000-hour MVP kit (2019 and on) non-Tier 4	44962
	1,000-hour MVP kit (2019 and on) Tier 4	44963
	Engine oil filter	108-3841
	Engine oil filter breather element	98-9493
	Air filter element (2005 and on)	108-3810
	In-line plastic diesel fuel filter (2002–2007)	98-7612
	In-line metal diesel fuel filter (2002–2007)	108-3828
Diesel fuel filter element (2002–2007)	98-9764	
Diesel fuel filter element (2008–2012)	110-9049	
In-line bio-diesel fuel filter kit	112-7836	
Bio-diesel fuel filter element	110-9015	
Hydraulic oil filter element (2000–2001)	54-0110	
Hydraulic oil filter element (2002 and on)	86-3010	
Groundsmaster 3500G	1,000-hour MVP kit (2019 and on)	44965

Equipment	Description	Part No
Groundsmaster 4000-D/4100-D	400-hour filter kit (2001–2007)	30029
	400-hour filter kit (2008 and on)	30056
	800-hour filter kit (T4I)	30089
	800-hour filter kit (T4F)	30408
	1,000-hour MVP kit (2019 and on)	44967
	Engine oil filter (2001 and on)	104-5169
	Engine oil filter breather element	98-7419
	Air filter element – Inner (2004 and on)	108-3816
	Air filter element – Outer (2004 and on)	108-3814
	In-line plastic diesel fuel filter (2001–2007)	98-7612
In-line metal diesel fuel filter (2001–2007)	108-3828	
Diesel fuel filter element (2001–2007)	98-9764	
Diesel fuel filter element (2008 and on)	110-9049	
In-line bio-diesel fuel filter kit	112-7836	
Bio-diesel fuel filter element	110-9015	
Hydraulic oil filter element AT pump	75-1310	
Hydraulic oil filter element AT manifold	94-2621	
Oil filter	93-2242	
Filter – Fuel/water separator	125-2915	
Groundsmaster 4300-D	400-hour filter kit (2008–2012)	30055
	800-hour filter kit (2013 and on)	30093
	1,000-hour MVP kit (2019 and on) Tier 4	44964
	Engine oil filter	108-3841
	Air filter	108-3812
	In-line diesel fuel filter	110-9044
	Diesel fuel filter element (2008–2012)	110-9049
	Hydraulic oil filter reservoir element	94-2621
	Hydraulic oil filter element AT pump	86-3010

**QUICK REFERENCE GUIDE
FILTERS***

Equipment	Description	Part No
Groundsmaster (continued)		
Groundsmaster 4500-D/4700-D	400-hour filter kit (2001–2007)	30029
	400-hour filter kit (2008–2013)	30056
	800-hour filter kit (T4i 2014–2018)	30089
	800-hour filter kit (T4F 2014–2018)	30408
	MVP 1,000-hour filter kit (2019 and on)	44967
	Engine oil filter	104-5169
	Engine oil filter breather element	98-7419
	Air filter element – Inner (2004 and on)	108-3816
	Air filter element – Outer (2004 and on)	108-3814
	In-line plastic diesel fuel filter (2002–2007)	98-7612
	In-line metal diesel fuel filter (2002–2007)	108-3828
	Diesel fuel filter element (2002–2007)	98-9764
	Diesel fuel filter element (2008 and on)	110-9049
	In-line bio-diesel fuel filter kit	112-7836
	Bio-diesel fuel filter element	110-9015
	Hydraulic oil filter element AT pump	75-1310
	Hydraulic oil filter element AT manifold	94-2621
Oil filter	93-2242	
Groundsmaster 5900/5910	400-hour filter kit	30041
	1,000-hour MVP kit (2019 and on)	44958
	Engine oil filter	130-8860
	Air filter element – Inner	115-8877
	Air filter element – Outer	115-8887
	Diesel fuel filter element AT engine	117-2792
	Diesel fuel filter element AT separator	115-5471
	Hydraulic oil filter main element	86-6110
	Hydraulic oil filter PTO element	75-1310
	Fuel filter (2016 and on)	125-8752
Engine filter (2016 and on)	125-7025	
Groundsmaster 7200/7210	400-hour filter kit (2007)	30037
	400-hour filter kit (2008–2014)	30052
	MVP filter kit, Tier 4 Final (2015 and on)	30261
	Engine oil filter	108-3841
	Air filter element	108-3810
	In-line plastic diesel fuel filter (2007)	98-7612
	In-line metal diesel fuel filter (2007)	108-3828
	Diesel fuel filter element (2007)	98-9764
	Diesel fuel filter element (2008 and on)	110-9049
	Bio-diesel fuel filter element	110-9015
	Hydraulic oil filter element – Trans	108-5194
	Filter – Fuel/water separator	125-2915

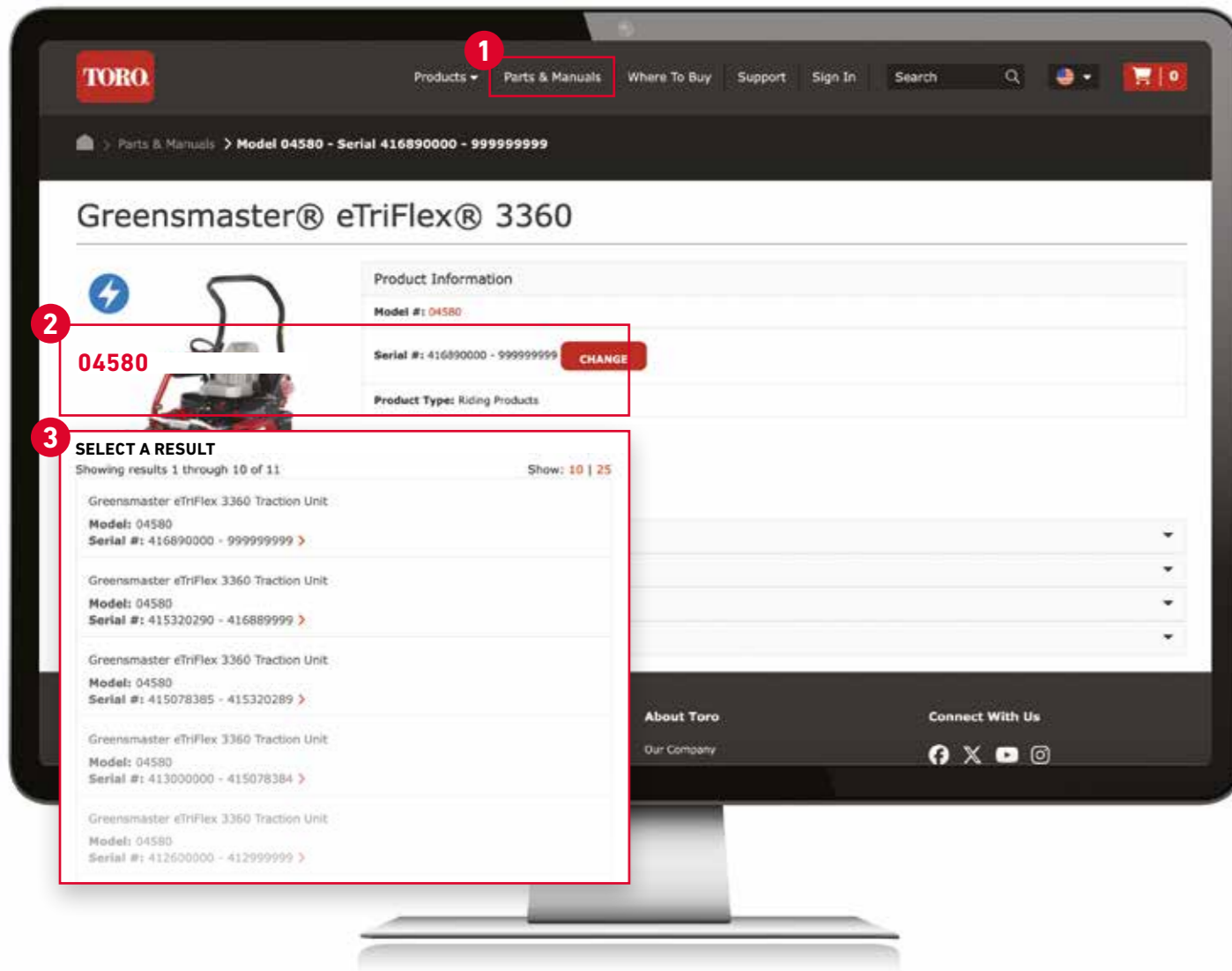
Equipment	Description	Part No
Aerator		
ProCore 648/648s	In-line fuel filter	115-7854
	Hydraulic oil filter	107-9531
Workman		
Workman MDX	400-hour filter kit	30004
	Engine oil filter	107-7817
	Air filter element	108-3811
	In-line gas fuel filter	94-2690
Workman HD	Engine oil filter	12 050 01-S
	Air filter pre-cleaner	24 083 05-S
	Air filter element	24 083 03-S
	In-line gas fuel filter (2012 and on)	108-3854
Workman HDX	In-line gas fuel filter	115-7854
	Hydraulic oil filter element	54-0110
	Engine oil filter	108-3847
	400-hour maintenance kit	30073
	Engine oil filter (2012 and on)	108-3842
	Engine oil filter (2013 and on)	115-8189
	Air filter element (2012 and on)	108-3811
	Air filter element (2013 and on)	108-3810
	In-line gas fuel filter	115-7854
	Gas fuel filter (2013 and on)	115-7818
Hydraulic oil filter	54-0110	
Workman HDX-D	400-hour maintenance kit	30068
	Engine oil filter	108-3842
	Air filter element	108-3811
Workman HDX-Auto	Diesel fuel filter element – Separator	110-9049
	Hydraulic oil filter element	54-0110
	400-hour maintenance kit	131-8276
Workman GTX	Engine oil filter	108-3847
	Fuel filter element	115-7818
	In-line fuel filter	115-7854
	Air filter element	108-3811
Workman UTX petrol	400-hour maintenance kit	136-6280
	Air filter	108-3811
	Spark plug	130-8380
Workman UTX diesel	Fuel filter	56-6360
	Fuel filter	115-7854
Workman UTX diesel	Air filter	108-3810
	Fuel filter	110-9049
Workman UTX diesel	Air filter	108-3810

Equipment	Description	Part No
Multi Pro sprayers		
Multi Pro sprayers 1200/1250/1750	MVP kit filter/screen suction (Multi Pro 1750)	131-3751
	Engine oil filter	108-3847
	Air filter element – Main	47 083 03-S
	Air filter element – Wrapper	24 083 02-S
	In-line gas fuel filter	24 050 02-S
Multi Pro sprayers 5800	Hydraulic oil filter element	54-0110
	Engine oil filter	108-3841
	Air filter element	108-3810
	Diesel fuel filter element	110-9049
	Separator filter assembly	110-9044
Speciality turf equipment	50 Blue suction hydraulic oil filter	100-8642
	Hydraulic oil filter element AT pump	75-1310
	Gasoline fuel filter element	125-2902
	Oil filter	93-2242
	Field Pro® 6040	Air filter element – Main
Field Pro® 6040	Air filter element – Secondary	98-2982
	Hydraulic oil filter element	86-3010
	ProCore 648	Fuel filter
ProCore 648	Hydraulic filter (1)	1-633750
	Hydraulic filter (2)	107-9531
	ProCore 648s	Fuel filter
ProCore 648s	Hydraulic filter (1)	107-9531
	Hydraulic filter (2)	75-1310
	Sand Pro	Air filter element
In-line gas fuel filter		108-3831
Hydraulic oil filter element		23-9740
Sand Pro 2000/3000	Air filter element – Main	45 083 02
	Air filter element – Wrapper	45 083 01
	Air filter element – Remote	108-3808
	In-line gas fuel filter	108-3831
	Hydraulic oil filter element	23-9740
Sand Pro 2020/3020/5020	Engine oil filter	107-7817
	Air filter element – Main	92-0527
	Air filter element – Wrapper	272490S
	Air filter element – Remote	108-3811
	In-line gas fuel filter	94-2690
Sand Pro 5000	Hydraulic oil filter element	23-9740
	Engine oil filter	107-7817
	Air filter element – Main	92-0527
	Air filter element – Wrapper	272490S
	Air filter element – Remote (1992–1994)	108-3808
Sand Pro 5000	Air filter element – Remote (1995 and on)	108-3811
	In-line gas fuel filter	94-2690
	Hydraulic oil filter element	23-9740

Equipment	Description	Part No
Sand/Infield Pro 3040/5040	400-hour maintenance kit	30035
	1,000-hour MVP kit (2019 and on)	44957
	Engine oil filter	107-7817
	Air filter element – Remote	108-3811
	In-line gas fuel filter	94-2690
Sand Pro 2040Z	Hydraulic oil filter element	54-0110
	400-hour filter maintenance kit	08725
	Filter element	114-3494
	Inner filter kit	127-0381
	Oil filter	119-5852
Top Dresser	Air filter	108-3811
	Carbon canister filter	115-7854
	Fuel filter-In-line	121-4570
	Diesel fuel filter element (2500)	86-3010
	ProForce Debris Blower 800	Engine oil filter
ProForce Debris Blower 800	Air filter element – Main	24 083 03
	Air filter element – Wrapper	24 083 05
	In-line gas fuel filter	108-3854
ProLine H800 (PLH800)	Air filter element – Inner	134-0576
	Air filter element – Inner	134-3961
	Hydraulic filter	134-1368
	Air filter	134-0575
	Air filter	134-3959
Vista EFI petrol	Fuel filter	134-1524
	Fuel filter	134-1997
	Engine oil filter	134-1208
	Hydraulic tank filter	134-3123
	Fuel filter assembly	134-1447
Outcross 9060	Pre-filter air	134-0567
	10 micron fuel filter	145-7282
	30 micron fuel filter	145-7283
	In-line fuel filter	115-7854
	Air filter	145-7199
Outcross 9060	Engine oil filter	125-7025
	Air filter	108-3814
	Fuel/water separator filter	125-2915
Outcross 9060	Fuel oil/filter	125-8752

FIND CURRENT PARTS INFO AT **TORO.COM**

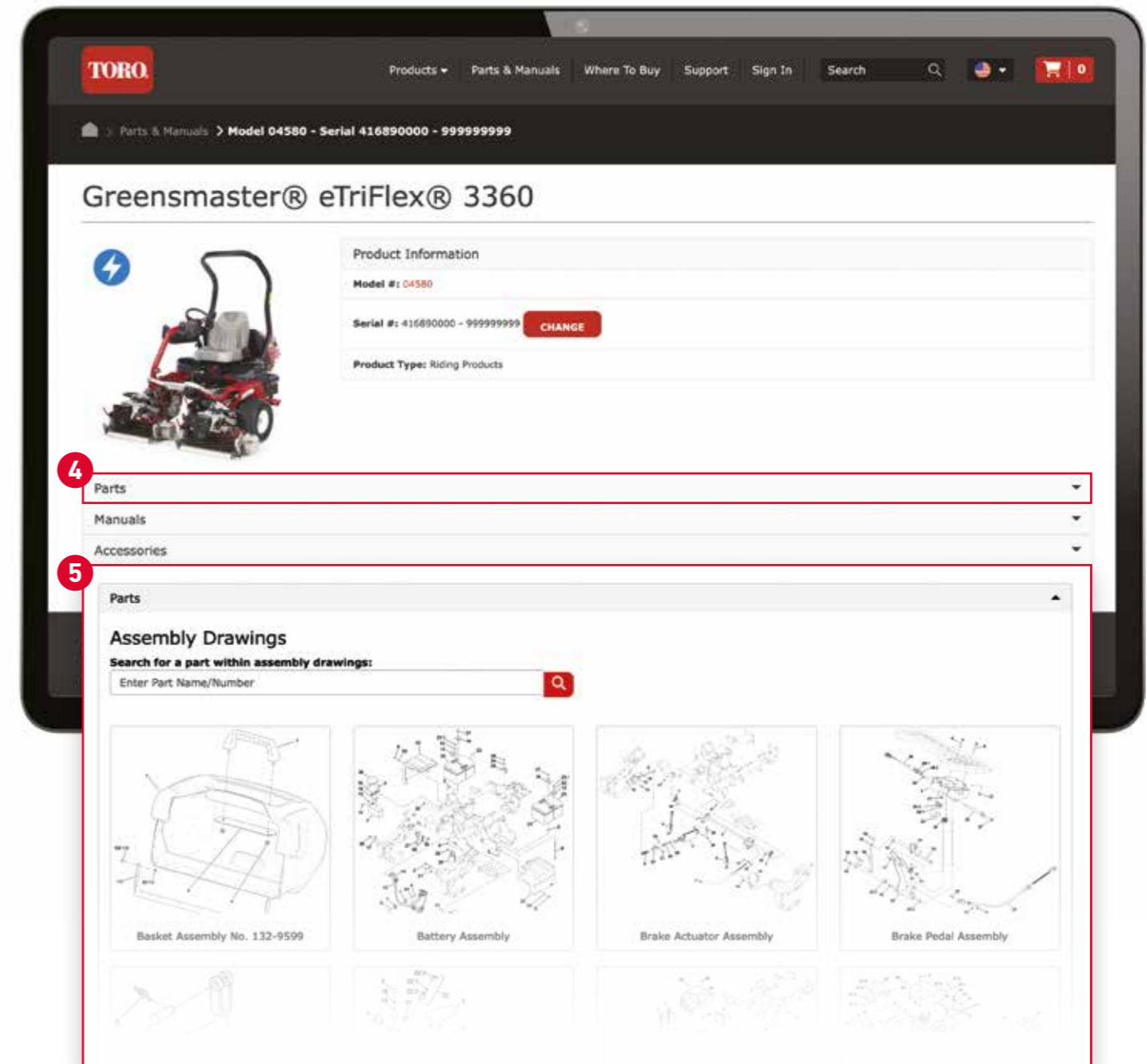
At Toro, we know that your job depends on keeping your equipment in top condition. Toro.com has all the latest parts information, right at your fingertips.



1 Go to **Toro.com** and click **Parts and manuals**

2 Enter the **model number** or **keyword**

3 Select a result



4 Click **Parts**

5 Select an **assembly drawing** or enter the **part name or number** in the search bar

QUICK REFERENCE GUIDE
BLADES*

Equipment	Description	Part No		
Groundsmaster				
Groundsmaster series decks 52/62/200	Standard blade	132.1 cm (52") SD and RD deck (45.7 cm (18") blade)	27-0990-03	
	High sail blade	132.1 cm (52") SD and RD deck (45.7 cm (18") blade)	44-5480	
	Atomic blade	132.1 cm (52") SD and RD deck (45.7 cm (18") blade)	104-1301	
	Atomic blade service pack	132.1 cm (52") SD and RD deck (6 #104-1301 blades)	108-1477	
	Standard blade	157.5 cm (62") Guardian (55.2 cm (21.75") blade)	92-5608-03	
	Standard blade	157.5 cm (62") SD and RD deck (55.2 cm (21.75") blade)	44-6250-03	
	High sail blade	157.5 cm (62") SD and RD deck (55.2 cm (21.75") blade)	77-6710-03	
	Atomic blade	157.5 cm (62") SD and RD deck (55.2 cm (21.75") blade)	104-1303	
	Atomic blade service pack	157.5 cm (62") SD and RD deck (6 #104-1303 blades)	106-0631	
	Standard blade	182.9 cm (72") SD and RD deck (62.9 cm (24.75") blade)	94-1861-03	
	High sail blade	182.9 cm (72") SD and RD deck (62.9 cm (24.75") blade)	104-4569-03	
	Atomic blade	182.9 cm (72") SD and RD deck (62.9 cm (24.75") blade)	104-1304	
	Atomic blade service pack	182.9 cm (72") SD and RD deck (6 #104-1304 blades)	108-1478	
	Groundsmaster series decks 72/300	Standard blade	182.9 cm (72") Guardian (63.5 cm (25") blade)	85-6040-03
		Standard blade	182.9 cm (72") SD and RD deck (63.5 cm (25") blade)	29-5530-03
		High sail blade	182.9 cm (72") SD and RD deck (63.5 cm (25") blade)	23-2410-03
Atomic blade		182.9 cm (72") SD and RD deck (63.5 cm (25") blade)	106-4353-03	
Atomic blade service pack		182.9 cm (72") SD and RD deck (6 #106-4354 blades)	108-1454	
Groundsmaster 1200	Standard blade	223.5 cm (88") Triflex deck (48.3 cm (19") blade)	63-0080-03	
	Standard blade	48.3 cm (19")	138-9029	
	Medium sail blade	48.3 cm (19")	137-3659-03	
	High sail blade	48.3 cm (19")	138-9028	
	High sail blade	48.3 cm (19")	137-3671-03	
	Atomic blade	48.3 cm (19")	139-7799-03	
Groundsmaster 3280-D	Atomic blade service pack	48.3 cm (19")	140-0028	
	Standard blade	132.1 cm (52") SD and RD deck (45.7 cm (18") blade)	27-0990-03	
	High sail blade	132.1 cm (52") SD and RD deck (45.7 cm (18") blade)	44-5480	
	Atomic blade	132.1 cm (52") SD and RD deck (45.7 cm (18") blade)	104-1301	
	Atomic blade service pack	132.1 cm (52") SD and RD deck (6 #104-1301 blades)	108-1477	
	Medium sail blade	152.4 cm (60") SD deck (52 cm (20.5") blade)	110-4701	
	High sail blade	152.4 cm (60") SD deck (52 cm (20.5") blade)	110-4702-03	
	Atomic blade	152.4 cm (60") SD deck (52 cm (20.5") blade)	110-4703-03	
	Standard blade	157.5 cm (62") RD and Guardian deck (55.2 cm (21.75") blade)	92-5608-03	
	Atomic blade	157.5 cm (62") RD (55.2 cm (21.75") blade)	107-0214-03	
	Standard blade	182.9 cm (72") RD and Guardian deck (62.2 cm (24.5") blade)	121-5347-03	
	Medium sail blade	182.9 cm (72") SD deck (62.2 cm (24.5") blade)	144-3911	
	High sail blade	182.9 cm (72") SD deck (62.2 cm (24.5") blade)	110-0622-03	
	Atomic blade	182.9 cm (72") RD and SD deck (62.2 cm (24.5") blade)	110-0624-03	

QUICK REFERENCE GUIDE
BLADES*

Equipment	Description	Part No		
Groundsmaster 3200/3300	Medium flow kit blade	152.4 cm (60") RD and SD deck (52 cm (20.5") blade)	144-3912	
	High flow kit blade	152.4 cm (60") RD and SD deck (52 cm (20.5") blade)	144-3913	
	Atomic kit blade	152.4 cm (60") RD and SD deck (52 cm (20.5") blade)	144-3914	
	Low flow kit blade	152.4 cm (60") RD and SD deck (52 cm (20.5") blade)	144-3917	
	Recycling kit blade	152.4 cm (60") RD and SD deck (52 cm (20.5") blade)	144-3918	
	Low flow kit blade	152.4 cm (60") RD deck (52 cm (20.5") blade) Tier 2	144-3964	
	Recycling kit blade	152.4 cm (60") RD deck (52 cm (20.5") blade) Tier 2	144-3965	
	Atomic kit blade	152.4 cm (60") RD deck (52 cm (20.5") blade) Tier 2	144-3967	
	STD kit blade	182.9 cm (72") RD and SD deck (62.2 cm (24.5") blade)	144-3911	
	Low flow kit blade	182.9 cm (72") RD and SD deck (62.2 cm (24.5") blade)	144-3915	
	Recycling kit blade	182.9 cm (72") RD and SD deck (62.2 cm (24.5") blade)	144-3916	
	Low flow kit blade	182.9 cm (72") RD deck (62.2 cm (24.5") blade) Tier 2	144-3962	
	Recycling kit blade	182.9 cm (72") RD deck (62.2 cm (24.5") blade) Tier 2	144-3963	
	Atomic kit blade	182.9 cm (72") RD deck (62.2 cm (24.5") blade) Tier 2	144-3966	
	Groundsmaster e3200	Low flow blade	152.4 cm (60") RD and SD deck (52 cm (20.5") blade)	145-1114
		Medium flow blade	152.4 cm (60") RD and SD deck (52 cm (20.5") blade)	145-1115
Recycling blade		152.4 cm (60") RD and SD deck (52 cm (20.5") blade)	145-1116	
Atomic blade		152.4 cm (60") RD and SD deck (52 cm (20.5") blade)	147-2082	
Low flow kit blade		152.4 cm (60") RD and SD deck (52 cm (20.5") blade)	161-7645	
Medium flow kit blade		152.4 cm (60") RD and SD deck (52 cm (20.5") blade)	161-7646	
Recycling kit blade		152.4 cm (60") RD and SD deck (52 cm (20.5") blade)	161-7647	
Atomic kit blade		152.4 cm (60") RD and SD deck (52 cm (20.5") blade)	161-7648	
Low flow blade		182.9 cm (72") RD and SD deck (62.2 cm (24.5") blade)	147-2135	
Medium flow blade		182.9 cm (72") RD and SD deck (62.2 cm (24.5") blade)	147-2136	
Recycling blade		182.9 cm (72") RD and SD deck (62.2 cm (24.5") blade)	147-2137	
Atomic blade		182.9 cm (72") RD and SD deck (62.2 cm (24.5") blade)	161-7649	
Low flow kit blade		182.9 cm (72") RD and SD deck (62.2 cm (24.5") blade)	161-7655	
Medium flow kit blade		182.9 cm (72") RD and SD deck (62.2 cm (24.5") blade)	161-7656	
Recycling kit blade		182.9 cm (72") RD and SD deck (62.2 cm (24.5") blade)	161-7657	
Atomic kit blade		182.9 cm (72") RD and SD deck (62.2 cm (24.5") blade)	161-7658	
Groundsmaster 3500-D/3505-D	Standard blade	69 cm (27") deck (69 cm (27") blade) (2000-2005)	105-9810-03	
	High sail blade	69 cm (27") deck (69 cm (27") blade) (2000-2005)	104-5183	
	Combination blade	69 cm (27") deck (69 cm (27") blade) (2006 and on)	108-9026	
	Atomic blade	69 cm (27") deck (69 cm (27") blade) (2006 and on)	107-0235-03	
	Atomic blade service pack	69 cm (27") deck (6 #107-0235-03 blades)	108-1462	
	Groundsmaster 360	Atomic blade	182.9 cm (72") SD and Guardian deck (62.2 cm (24.5") blade)	110-0624-03
Medium sail blade		182.9 cm (72") SD and Guardian deck (62.2 cm (24.5") blade)	110-0622-03	
High sail blade		254 cm (100") deck (48.3 cm (19") blade)	132-1319	
Groundsmaster 4000-D	Standard blade	335.3 cm (132") deck (55.2 cm (21.75") blade)	92-5608-03	
	STD blade service pack	335.3 cm (132") deck (7 #92-5608-03 blades)	117-2722	
	Flat sail blade	335.3 cm (132") deck (55.2 cm (21.75") blade)	110-6115-03	
	Flat sail blade service pack	335.3 cm (132") deck (7 #110-6115-03 blades)	110-6130	
	Medium sail blade	335.3 cm (132") deck (55.2 cm (21.75") blade)	136-4370-03	
	Medium sail blade service pack	335.3 cm (132") deck (7 #136-4370-03 blades)	137-5500	
	Atomic blade	335.3 cm (132") deck (55.2 cm (21.75") blade)	107-0214-03	
	Atomic blade service pack	335.3 cm (132") deck (7 #107-1214-03 blades)	108-1450	

Blades reference chart – Groundsmaster

GM unit	Cutting deck	Deck model	Blade length	Combo	Angle sail	Low flow	Medium flow	High flow	Atomic® mulching	Flat	Standard
1200	137 cm (54") RD z3x decks		48.3 cm (19")				137-3659-03	137-3671-03	139-7799-03		137-3671-03
			Service pack				138-9029	138-9028	140-0028		138-9029
3200/3300	152 cm (60") SD	31970	52 cm (20.5")				110-4701	110-4702-03	110-4703-03		110-4702-03
	152 cm (60") RD	31971	52 cm (20.5")				110-4701	110-4702-03	110-4703-03		110-4701
	183 cm (72") SD	31972	62 cm (24.5")				144-3911	110-0622-03	110-0624-03		110-0622-03
	183 cm (72") RD	31973	62 cm (24.5")				144-3911	110-0622-03	110-0624-03		144-3911
	152 cm (60") RD	31974	52 cm (20.5")		140-4855	140-4854			140-1241		140-4854
	183 cm (72") RD	31975	62 cm (24.5")		140-4852	140-4851			140-1239		140-4851
e3200	152 cm (60") SD	31890	52 cm (20.5")		145-1116	145-1114	145-1115		147-2082		145-1114
	152 cm (60") RD	31891	52 cm (20.5")		145-1116	145-1114	145-1115		147-2082		145-1114
3280-D	132 cm (52") SD	30555	46 cm (18")					44-5480	104-1301		27-0990-03
	152 cm (60") SD	30366	52 cm (20.5")					110-4702-03	110-4703-03		110-4701
	157 cm (62") RD and Guardian	30403	55 cm (21.75")						107-0214-03		92-5608-03
	183 cm (72") SD	31336	62 cm (24.5")				144-3911	110-0622-03	110-0624-03		
360	183 cm (72") RD and Guardian	31335 30303	64 cm (25.18")								121-5347-03
	152 cm (60") SD	30456	52 cm (20.5")				110-4701	110-4702-03	110-4703-03		110-4701
	157 cm (62") Guardian	30457	55.2 cm (21.75")						107-0214-03	110-6115-03	92-5608-03
	183 cm (72") SD	30481	62 cm (24.5")				144-3911	110-0622-03	110-0624-03		144-3911
360	183 cm (72") RD and Guardian	30353	64 cm (25.18")	125-9444-03						112-9586-03	121-5347-03
	254 cm (100") RD	31101	48.3 cm (19")	106-7166-03				132-1319			
			Service pack				132-1325				
			64 cm (25.18")	125-9444-03							



High sail/flow

- Provides best quality of cut in most grass conditions.
- Provides better air flow.

Angled sail blade

- Performs best in lower heights of cut 1.9–6.4 cm
- Less tendency to throw grass, and discharge is more even at lower cutting heights.



Atomic blade

- Provides the best quality of cut while mulching.
- Preferred blade for mulching applications.



Medium sail/flow

- Provides better quality of cut.
- Better overall performance in most conditions.

Combination sail blade

- Provides excellent lift and dispersion.
- Standard blade on all Groundsmaster Contour mowers.



Flat blade

- Low noise level.
- Lower power consumption.
- Reduced discharge velocity of clippings.

For more information, contact your local Toro distributor.

For more information, contact your local Toro distributor.

Bedknives reference chart – Fairway

Reelmaster unit	Description	HOC range	No of holes	Lip height**	Standard	EdgeMax™	Top angle	Front angle
3550 EdgeSeries™ cutting units DPA cutting units	457 mm (18") Tournament cut	3.8 mm–9.5 mm (0.150"– $\frac{3}{8}$ ")	6	4.32 mm (0.170")	147-1256		5°	5°
	457 mm (18") low cut	6.4 mm–12.7 mm ($\frac{1}{4}$ "– $\frac{1}{2}$ ")	6	5.59 mm (0.220")	121-3167	137-6090 Insert	10°	5°
	457 mm (18") Fairway cut	9.5 mm and up ($\frac{3}{8}$ " and up)	6	6.90 mm (0.270")	147-1241	137-6091 Insert	10°	5°
	559 mm (22") Tournament cut	3.8 mm–9.5 mm (0.150"– $\frac{3}{8}$ ")	8	4.32 mm (0.170")	147-1257		5°	5°
	559 mm (22") low cut	6.4 mm–12.7 mm ($\frac{1}{4}$ "– $\frac{1}{2}$ ")	8	5.59 mm (0.220")	147-1244	137-6093 Insert	10°	5°
	559 mm (22") Fairway cut	9.5 mm and up ($\frac{3}{8}$ " and up)	8	6.90 mm (0.270")	147-1245	137-6094 Insert	10°	5°
	559 mm (22") Tournament cut	3.8 mm–9.5 mm (0.150"– $\frac{3}{8}$ ")	8	4.32 mm (0.170")	147-1257		5°	5°
	559 mm (22") low cut	6.4 mm–12.7 mm ($\frac{1}{4}$ "– $\frac{1}{2}$ ")	8	5.59 mm (0.220")	147-1244	137-6093 Insert	10°	5°
	559 mm (22") low cut extended	6.4 mm–12.7 mm ($\frac{1}{4}$ "– $\frac{1}{2}$ ")	8	5.59 mm (0.220")	147-1243	119-4280 Solid	10°	10°
	559 mm (22") Fairway cut	9.5 mm and up ($\frac{3}{8}$ " and up)	8	6.90 mm (0.270")	147-1245	137-6094 Insert	10°	5°
3555/3575 5010-H 5210 5410 5510 5610 6500 6700 EdgeSeries cutting units DPA cutting units	559 mm (22") Fairway cut – Heavy duty	12.7 mm and up ($\frac{1}{2}$ " and up)	8	9.4 mm (0.370")	147-1246		10°	5°
	686 mm (27") Fairway cut	9.5 mm and up ($\frac{3}{8}$ " and up)	10	6.90 mm (0.270")	147-1249	137-6095 Insert	10°	5°
	686 mm (27") low cut extended	6.4 mm–12.7 mm ($\frac{1}{4}$ "– $\frac{1}{2}$ ")	10	5.59 mm (0.220")	147-1248		10°	10°
	686 mm (27") Fairway cut – Heavy duty	12.7 mm and up ($\frac{1}{2}$ " and up)	10	9.4 mm (0.370")	147-1250		10°	5°
	813 mm (32") Fairway cut	9.5 mm and up ($\frac{3}{8}$ " and up)	12	6.90 mm (0.270")	147-1253		10°	5°
	813 mm (32") low cut extended	6.4 mm–12.7 mm ($\frac{1}{4}$ "– $\frac{1}{2}$ ")	12	5.59 mm (0.220")	147-1252		10°	10°
3100 7000 EdgeSeries cutting units DPA cutting units	813 mm (32") Fairway cut – Heavy duty	12.7 mm and up ($\frac{1}{2}$ " and up)	12	9.4 mm (0.370")	147-1254		10°	5°
	787 mm (31") 11-blade reel	9.5 mm and up ($\frac{3}{8}$ " and up)	11	7.11 mm (0.280")	47-6680		10°	30°
	787 mm (31") 5- and 7-blade reel	12.7 mm and up ($\frac{1}{2}$ " and up)	11	9.65 mm (0.380")	49-7660		10°	30°
5 7 11 TDM (Turf-Driven Mower) SPA cutting units	533 mm (21") Fairway cut	9.5 mm and up ($\frac{3}{8}$ " and up)	7	6.90 mm (0.270")	137-6097	137-6092 Insert	10°	10° and 5°
	533 mm (21") Fairway cut – Heavy duty	12.7 mm and up ($\frac{1}{2}$ " and up)	7	8.76 mm (0.345")	147-1242		10°	10°

**Service limit (worn-out condition) for all Fairway bedknives is when the bedknife lip height is 4.8 mm, except for Tournament cut bedknives, which is 3.3 mm. For more information, contact your local Toro distributor.

Bedknives reference chart – Greens

Greensmaster unit	Description	HOC range	No of holes	Standard	EdgeMax™	Min. top angle	Front angle
800 Integral cutting unit Flex 18 Flex and eFlex 1800/1820 Greensmaster 1018	457 mm (18") low cut	4.8 mm–25.4 mm (3/16"–1")	11	110-2301		3°	13° + 4° - 0°
	457 mm (18") micro cut	1.6 mm–4.8 mm (1/16"–3/16")	11	98-7261	117-1530 Solid	3°	13° + 4° - 0°
	457 mm (18") micro cut extended*	1.6 mm–4.8 mm (1/16"–3/16")	11	110-2300		7°	13° + 4° - 0°
	457 mm (18") micro cut short**	1.6 mm–25.4 mm (1/16"–1")	11		139-4318 Solid	3°	13° + 4° - 0°
	457 mm (18") Tournament cut	3.2 mm–12.7 mm ($\frac{1}{8}$ "– $\frac{1}{2}$ ")	11	98-7260	117-1532 Solid	3°	13° + 4° - 0°
	457 mm (18") Tournament short**	3.2 mm–25.4 mm ($\frac{1}{8}$ "–1")	11		139-4319 Solid	3°	13° + 4° - 0°
	533 mm (21") low cut	4.8 mm–25.4 mm (3/16"–1")	13	93-4264		3°	13° + 4° - 0°
	533 mm (21") micro cut	1.6 mm–4.8 mm (1/16"–3/16")	13	93-4262	115-1880 Solid	3°	13° + 4° - 0°
	533 mm (21") micro cut extended*	1.6 mm–4.8 mm (1/16"–3/16")	13	108-4303		7°	13° + 4° - 0°
	533 mm (21") micro cut short**	1.6 mm–25.4 mm (1/16"–1")	13		139-4320 Solid	3°	13° + 4° - 0°
1000/1010/2000 Integral cutting unit Flex 21 Flex 21 and eFlex 2100/2120 Greensmaster 1021 3000/3100/3200/3300/3400	533 mm (21") Tournament cut	3.2 mm–12.7 mm ($\frac{1}{8}$ "– $\frac{1}{2}$ ")	13	93-4263	115-1881 Solid	3°	13° + 4° - 0°
	533 mm (21") Tournament cut extended*	3.2 mm–12.7 mm ($\frac{1}{8}$ "– $\frac{1}{2}$ ")	13	108-4302		7°	13° + 4° - 0°
	533 mm (21") Tournament cut short**	3.2 mm–25.4 mm ($\frac{1}{8}$ "–1")	13		139-4321 Solid	3°	13° + 4° - 0°
	533 mm (21") high cut	7.9 mm–25.4 mm (5/16"–1")	13	94-6392		3°	13° + 4° - 0°
	533 mm (21") Fairway cut	9.5 mm–25.4 mm ($\frac{3}{8}$ "–1")	7	137-6097	137-6092 Insert	10°	13° + 4° - 0°
	660 mm (26") low cut	4.8 mm–25.4 mm (3/16"–1")	16	93-9015		3°	13° + 4° - 0°
	660 mm (26") micro cut	1.6 mm–4.8 mm (1/16"–3/16")	16	112-9275	139-4324 Solid	3°	13° + 4° - 0°
	660 mm (26") micro cut short**	1.6 mm–25.4 mm (1/16"–1")	16		139-4322 Solid	3°	13° + 4° - 0°
	660 mm (26") Tournament cut	3.2 mm–12.7 mm ($\frac{1}{8}$ "– $\frac{1}{2}$ ")	16	94-5885	117-1548 Solid	3°	13° + 4° - 0°
	660 mm (26") Tournament short**	3.2 mm–25.4 mm ($\frac{1}{8}$ "–1")	16		139-4323 Solid	3°	13° + 4° - 0°
1600/1610/2600 Integral cutting unit Greensmaster 1026	660 mm (26") High cut	7.9 mm–25.4 mm (5/16"–1")	16	104-2646		3°	13° + 4° - 0°
	660 mm (26") Fairway cut	9.5 mm–25.4 mm ($\frac{3}{8}$ "–1")	16	107-8181		3°	13° + 4° - 0°

* If you experience scalping with the aggressive bedbar, switch to the extended bedknives.

** For aggressive and/or higher height-of-cut applications. For more information, contact your local Toro distributor.

*Prices subject to change without notice. Please see your Parts Catalogue or Master Parts Viewer to ensure that the correct part is ordered, as the part you need may not be listed. toro.com/parts

Service reel reference chart – Fairway

Reelmaster unit	Reel length	Reel diameter	Service limit/life	Cutting unit model	Reels+™				EdgeSeries (ES) Reels+™		
					5-Blade	7-Blade	8-Blade	11-Blade	5-Blade	8-Blade	11-Blade
3550	457 mm (18")	127 mm (5")	114 mm (4.5")	03911**			137-8402 RR				
				03480**					137-8406 RR		
				03485ES							
				03912**			137-8403 RR			137-8407 FSR (137-8409 RR service only)	
				03481**							
				03486ES							
3550 – Rear CUs only 3555 5010-H 5410 Low-drag DPA units (aluminium side plates)	559 mm (22")	127 mm (5")	114 mm (4.5")	03913**						137-8412 RR	
				03482**						137-8426 RR	
				03634							
				03487ES							
				03621ES							
				03483**							137-8413 RR
				03635							
				03488ES							137-8427 FSR
				03623ES							
				03489 ES							137-8429 RR
03624 ES											
3575 5010-H 5510/5610 Low-drag DPA units (aluminium side plates)	559 mm (22")	178 mm (7")	165 mm (6.6")	03638 ES						137-8445 RR	
				03639 ES						137-8446 FSR	
				03641 ES							137-8447 FSR
				03643 ES							137-8455 RR
5210/5410 DPA units (red side plates)	559 mm (22")	127 mm (5")	114 mm (4.5")	03661			137-8416 RR				
				03694						137-8422 RR	
				03695			137-8417 RR			137-8423 FSR	
5510 5610 6500 6700 DPA units (red side plates)	559 mm (22")	178 mm (7")	168 mm (6.6")	03863							
				03681			137-8432 RR			137-8438 RR	
				03696							
				03698							
				03864							
				03682			137-8433 RR				137-8439 FSR
				03697							
03699											
03693 ES											
3100 7000 Low-drag DPA units (aluminium side plates)	686 mm (27")	178 mm (7")	168 mm (6.6")	03188 ES					137-8469 RR		
				03189 ES						137-8470 RR	
				03192 ES							
				03721 ES							
				03190 ES							137-8471 RR
03722 ES											
3100 7000 DPA units (red side plates)	813 mm (32")	178 mm (7")	168 mm (6.6")	03191 ES				137-8482 RR Service only	137-8483 RR		
				03727 ES							
3100 7000 DPA units (red side plates)	686 mm (27")	178 mm (7")	168 mm (6.6")	03180			137-8460 RR				
				03181						137-8464 RR	
				03710							
				03183			137-8461 RR				133-8271* RR
				03711							
5/7/11 TDM (Turf-Driven Mower) SPA units	762 mm (30")	203 mm (8")	193 mm (7.6")	01005	130-0075* RR						
				01007			130-0071* RR				
				01011					130-0081* RR		
5200 5300 5400 4 bolt units	533 mm (21")	127 mm (5")	114 mm (4.5")	03506							
				03527							
				03509							
				03528			130-0093* RR				
6500 6700 SPA units	559 mm (22")	178 mm (7")	168 mm (6.6")	03860			137-8452 RR				
				03861							
				03862						137-8453 RR	

1) Reel blade relief grind angle for all reels: 30° +/- 5°
 2) Fairway relief grinding required when land width is greater than 3.2 mm.
 3) Maximum allowed taper on all reels is 0.2 mm.
 * Reels+/EdgeSeries Reels+ not available
 ** Thinner Greens blade
 RR: Radial reel
 FSR: Forward swept reel

For more information, contact your local Toro distributor.

Service reel reference chart – Greens

Greensmaster unit	Reel length	Reel diameter	Service limit/life	Cutting unit model	EdgeSeries (ES) Reels+™		
					8-Blade	11-Blade	14-Blade
Flex and eFlex 1800/1820 (2012 and newer) Greensmaster 1018	457 mm (18")	127 mm (5")	114 mm (4.5")	04253			137-8522
				04289 ES			137-8522
				04823 ES			
				04254			137-8523
				04291 ES			137-852
				04824 ES			
Flex 18 (2011 and older)	457 mm (18")	127 mm (5")	114 mm (4.5")	04206			
				04207			137-8566*
800 Integral cutting unit	457 mm (18")	127 mm (5")	114 mm (4.5")	04054 ES		127-2160* Service only	132-7353* Service only
							132-7354*
Flex and eFlex 2100/2120 (2012 and newer) Greensmaster 1021	533 mm (21")	127 mm (5")	114 mm (4.5")	04832 ES			137-8511
				04251			
				04833 ES			137-8512
				04290 ES			
				04252			137-8513
				04834 ES			
				04292 ES			
Flex 21 (2011 and older)	533 mm (21")	127 mm (5")	114 mm (4.5")	04200			137-8570*
				04202			
				04208			137-8574*
1000/1010/2000 Integral cutting unit	533 mm (21")	127 mm (5")	114 mm (4.5")	04055 ES			132-7312*
				04034			
				04036			132-7313*
				04052			132-7314* Service only
				04038 ES			
Greensmaster 1026	660 mm (26")	127 mm (5")	114 mm (4.5")	04842 ES			138-5753
				04843 ES			138-5755
1600/1610/2600 Integral cutting unit	660 mm (26")	127 mm (5")	114 mm (4.5")	04035			132-7361*
				04060			
				04056 ES			
				04037			132-7362*
				04039 ES			
3000/3100/3200/ 3300/3400 Low drag DPA seal cutting unit (2012 and newer)	533 mm (21")	127 mm (5")	114 mm (4.5")	04613			137-8511
				04618			
				04651 ES		HD: 137-8517 Service only	
				04652 ES			
				04657 ES			
				04614			137-8512
				04619			
04653 ES							
04654 ES							
04658 ES							
				04615			137-8513
				04624			
				04655 ES			
				04656 ES			
3000/3100/3200 DPA cutting units (2011 and older)	533 mm (21")	127 mm (5")	114 mm (4.5")	04610		HD: 137-8505* Service only	137-8495*
				04611			137-8496*
				04616			137-8497*

*Reels+/EdgeSeries Reels+ not available
 1) Reel blade relief grind angle for all reels: 30° +/- 5°
 2) Relief grinding required when land width is greater than 2.5 mm.
 3) Maximum allowed taper on all reels is 0.2 mm.
 4) EdgeSeries Reels standard on 2016 models and newer.
 HD: Heavy Duty (Fairway reel blades)
 ES: EdgeSeries cutting unit

QUICK REFERENCE GUIDE
TYRES*

Equipment	Description	Tread	Application	Part No
Greensmaster walkers				
Transport wheel kit	Tyre (12 x 3.25 - 6) 4-ply	Block	-	65-7940
TransPro 80/100 trailer	Tyre (20 x 10.00 - 8) 4-ply	Turf Mate	-	99-4506
Greensmaster riders				
Greensmaster 3/300	Tyre (18 x 9.50 - 8) 2-ply	Smooth	Front and rear	28-3680
Greensmaster 3000	Tyre (18 x 9.50 - 8) 2-ply	Smooth	Front and rear	28-3680
	Tyre (18 x 8.50 - 8) 4-ply	Turf traction	Front and rear	119-3516
Greensmaster 3000-D	Tyre (18 x 9.50 - 8) 2-ply	Smooth	Front and rear	28-3680
	Tyre (18 x 8.50 - 8) 4-ply	Turf traction	Front and rear	119-3516
	Tyre (19 x 10.50 - 8) 2-ply	Traction	Front and rear	70-8500
Greensmaster 3050/3100/3150/3200	Tyre (18 x 9.50 - 8) 2-ply	Smooth	Front and rear	28-3680
	Tyre (18 x 8.50 - 8) 4-ply	Turf traction	Front and rear	119-3516
Greensmaster 3200-D	Tyre (18 x 9.50 - 8) 2-ply	Smooth	Front and rear	28-3680
Greensmaster 3250-D	Tyre (19 x 10.50 - 8) 2-ply	Smooth	Front and rear	70-8500
	Tyre (20 x 10.00 - 8) 4-ply	Turf Mate	Front and rear	99-4506
Greensmaster 3300/3400	Tyre (19 x 10.50 - 8) 4-ply	Smooth	Front and rear	120-2783
Reelmaster				
Reelmaster 3100-D	Tyre (20 x 12.00 - 10) 4-ply	Turf Trac R/S	Front	117-5125
	Tyre (20 x 10.00 - 10) 4-ply	Turf Trac R/S	Front and rear	115-1572
Reelmaster 3100-D (2010-current)	Tyre (20 x 12.00 - 10) 4-ply	Turf traction	Front	117-5125
	Tyre (20 x 10.00 - 10) 4-ply	Turf traction	Rear	115-1572
Reelmaster 5100-D/5300-D	Tyre (26 x 12.00 - 12) 4-ply	Turf traction	Front	231-134
Reelmaster 5200-D/5400-D	Tyre (26 x 12.00 - 12) 4-ply	Turf traction	Front	231-134
	Tyre (26.5 x 14.00 - 12) 2-ply	Ultra Trac	Front	117-5196
	Tyre (20 x 10.00 - 10) 6-ply	Turf traction	Rear	86-5910
Reelmaster 5500-D	Tyre (26.5 x 14.00 - 12) 2-ply	Ultra Trac	Front	117-5196
	Tyre (20 x 10.00 - 10) 6-ply	Turf traction	Rear	86-5910
Reelmaster 5210	Tyre (24 x 13.00 - 12) 6-ply (2006-mid 2008)	Ultra Trac	Front	131-8433
	Tyre (24 x 13.00 - 12) 4-ply (mid-2008 and on)	Ultra Trac	Front	95-2638
	Tyre (20 x 10.00 - 10) 6-ply (2006)	Turf traction	Rear	86-5910
	Tyre (20 x 10.00 - 10) 4-ply (2007 and on)	Turf Trac R/S	Rear	115-1572
Reelmaster 5010-H/5410/5510/5610	Tyre (26.5 x 14.00 - 12) 2-ply	Ultra Trac	Front	117-5196
	Tyre (20 x 12.00 - 10) 4-ply	Turf Trac R/S	Rear	117-5125
	Tyre (20 x 12.00 - 10) 4-ply	Smooth	Rear	127-2796
	Tyre (26.5 x 14.00 - 12) 4-ply	Smooth	Front	133-2940
Reelmaster 6500-D/6700-D	Tyre (29 x 14.00 - 15) 6-ply	Ultra Trac	Front	95-3465
	Tyre (20 x 10.00 - 10) 6-ply	Turf traction	Rear	86-5910
Reelmaster 450-D/4500-D	Tyre (31 x 13.50 - 15) 4-ply	Turf traction	Front	63-4480
	Tyre (23 x 10.50 - 12) 6-ply	Turf traction	Rear	69-9880
Reelmaster 3500-D	Tyre (20 x 10.00 - 10) 6-ply	Turf traction	Rear	86-5910
Reelmaster 3550-D/3555/3575	Tyre (22 x 12.00 - 12) 4-ply	Smooth	Front and rear	120-2114
	Tyre (22 x 12.00 - 12) 4-ply	Turf traction	Front and rear	121-7924
Reelmaster 4000-D	Tyre (31 x 13.50 - 15) 4-ply	Turf traction	Front	63-4480
	Tyre (23 x 10.50 - 12) 6-ply	Turf traction	Rear	69-9880
Reelmaster 7000-D	Tyre (20 x 12.00 - 10) 4-ply	Turf traction	Rear	117-5125
	Tyre (31 x 13.50 - 15) 4-ply	Turf traction	Front	136-3327

QUICK REFERENCE GUIDE
TYRES*

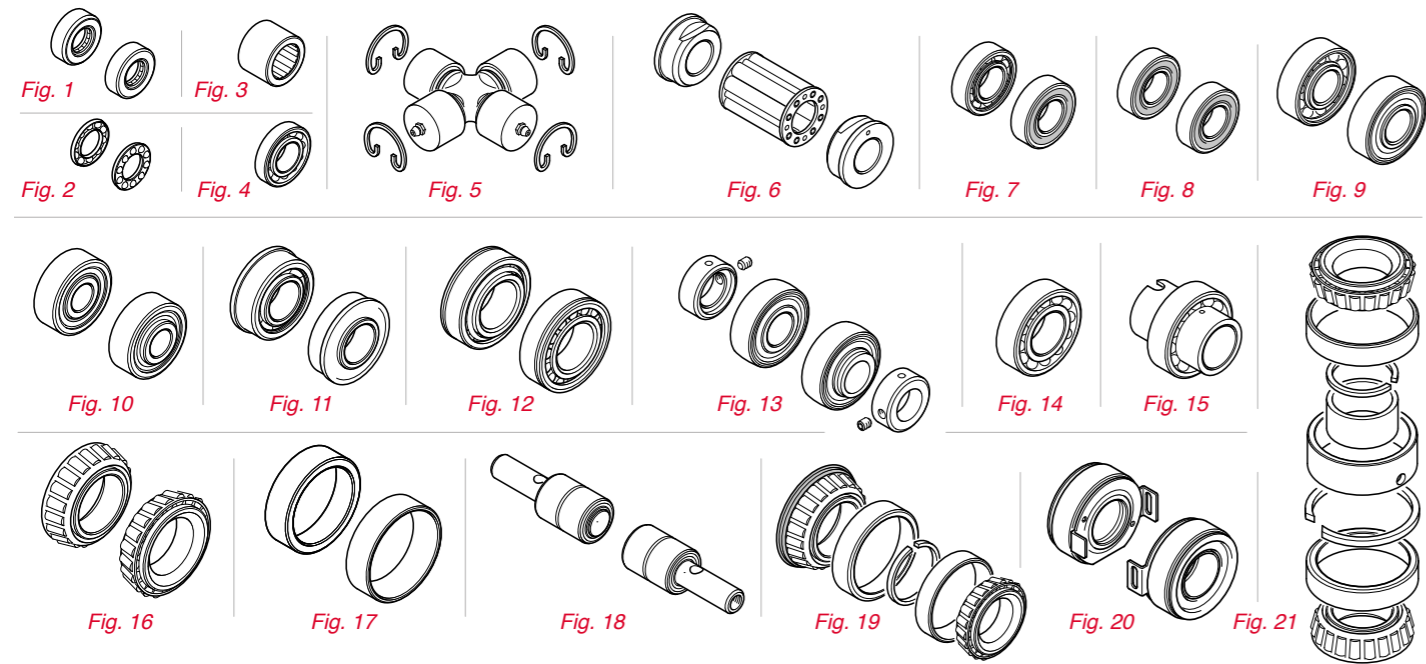
Equipment	Description	Tread	Application	Part No
Groundsmaster				
Groundsmaster 360	Tyre (23 x 10.50 - 12) 6-ply	Turf traction	Front and rear	121-9072
	Tyre – Turfmaster (16 x 6.50)	Turf traction	Rear	1-413474
	Tyre – Turfmaster (23 x 10.50 - 12)	Turf traction	Front	137-2581
	Tyre (18 x 9.50 - 8)	Turf traction	Front	137-2596
Groundsmaster 3500-D/3505-D	Tyre (24 x 12.00 - 12)	Turf traction	Rear	137-2594
	Tyre (20 x 12.00 - 10) 4-ply	Turf Trac R/S	Front	117-5125
Groundsmaster 3280-D	Tyre (20 x 10.00 - 10) 4-ply	Turf Trac R/S	Rear	115-1572
	Tyre (23 x 9.50 - 12) 4-ply	Multi Trac C/S	Front	117-0823
Groundsmaster 4000-D/4100-D	Tyre (23 x 10.50 - 12) 4-ply – Wide wheel opt.	Turf Saver	Front	231-95
	Tyre (23 x 10.50 - 12) 6-ply – Wide wheel opt.	Turf traction	Front	69-9880
	Tyre (16 x 6.50 - 8) 4-ply (2WD)	Ribbed	Rear	231-105
	Tyre (18 x 6.50 - 8) 4-ply (4WD)	Turf traction	Rear	231-122
Groundsmaster 4300-D	Tyre (26 x 12.00 - 12) 6-ply	Multi Trac C/S	Front	126-8033
	Tyre (20 x 10.00 - 10) 6-ply	Multi Trac C/S	Rear	94-5236
	Tyre (26 x 12.00 - 12) 6-ply	Multi Trac C/S	Front	119-8313
	Tyre (26 x 12.00 - 12) 6-ply	High traction	Front	136-4442
Groundsmaster 4500-D/4700-D	Tyre (20 x 10.00 - 10) 6-ply	High traction	Rear	136-4440
	Tyre (26.5 x 14.00 - 12) 2-ply	Ultra Trac	Front	117-5196
Groundsmaster 5900/5910	Tyre (20 x 12.00 - 10) 4-ply	Turf Trac R/S	Rear	117-5125
	Tyre (29 x 14.00 - 15) 6-ply	Ultra Trac	Front	95-3465
	Tyre (20 x 10.00 - 10) 4-ply	Turf Trac R/S	Rear	115-1572
Groundsmaster 7200/7210	Tyre (29 x 14.00 - 15) 6-ply	Turf	Front	119-0023
	Tyre (29 x 12.50 - 15) 10-ply	Multi Trac C/S	Front	114-4861
Aerator	Tyre (23 x 10.50 - 12) 6-ply	Multi Trac C/S	Rear	131-2382
	Tyre (24 x 12.00 - 12) 6-ply	Lug	Rear	103-6771
ProCore 648 Aerator	Tyre (19 x 10.50 - 8) 2-ply	Traction	Front	70-8500
	Tyre (19 x 10.50 - 8) 2-ply	Traction	Rear	70-8500
ProCore Processor	Tyre (18 x 9.50 - 8) 6-ply	Turf traction	-	114-7741

QUICK REFERENCE GUIDE
TYRES*

Equipment	Description	Tread	Application	Part No
Workman				
Workman MD/MDE	Tyre (22 x 9.50 - 10) 4-ply	Multi Trac C/S	Front and rear	127-7435
Workman GTX	Tyre (20.75 x 8.00 - 10) 4-ply	Standard	Front and rear	131-8318
	Tyre (20 x 8.00 - 10)			139-4475
Workman MDX	Tyre (22 x 9.50 - 10) 4-ply	Multi Trac C/S	Front	127-7435
	Tyre (24 x 12.00 - 10) 4-ply	Turf Trac R/S	Rear	131-6667
	Tyre – Front, K299		Front	136-1126
	Tyre – Rear, K299		Rear	136-1127
Workman HD/HDX/HDX-D	Tyre (20 x 9.00 - 12) 6-ply	Turf Trac	Front	131-6670
	Tyre (24 x 12.00 - 12) 6-ply	Multi Trac C/S	Rear	131-6673
	Tyre (24 x 13.00 - 12) 6-ply	Ultra Trac	Rear	131-8433
	Tyre 4-ply	Saw tooth	Rear	99-1091
	Tyre (24 x 12.00 - 12) 6-ply	Smooth	Rear	136-6333
	Tyre (20 x 9.00 - 12) 6-ply	Smooth	Front	136-6332
	Tyre (24 x 12.00 - 12) 6-ply	Traction	Rear	136-6307
	Tyre (20 x 9.00 - 12) 6-ply	Traction	Front	136-6306
	Tyre-A299, (25 x 12.50 - 12) 8-ply	Aggressive traction	Rear	131-8440
	Tyre-K299, (21 x 8.00 - 12) 6-ply	Aggressive traction	Front	131-8443
Workman UTX	Tyre (25 x 9.00 - 12) 6-ply	Terra Trac	Front	137-2689
	Tyre (25 x 11.00 - 12) 6-ply	Terra Trac	Rear	137-2690
Vista	Tyre (205 x 65.00 - 10) 6-ply	Turf	Front and rear	140-9794
Workman boom enclosure	Tyre (15 x 6.00 - 6) 2-ply	Ribbed	-	108-9955
Multi Pro sprayers				
Multi Pro sprayer 1750	Tyre (20 x 10.00 - 10) 4-ply	Smooth	Front	120-7639
	Tyre (24 x 13.00 - 12) 6-ply	Turf	Rear	131-8433
Multi Pro sprayer 5800-D	Tyre (22 x 12.00 - 12) 4-ply	Smooth	Front	120-2114
	Tyre (26.5 x 14.00 - 12) 6-ply	Turf	Rear	133-2724
	Tyre (23 x 10.5.00 - 12) 4-ply	Turf Trac	Front	119-6021
	Tyre (26.5 x 14.00 - 12) 2-ply	Turf Trac	Rear	117-5196
Multi Pro sprayer boom enclosure	Tyre (15 x 6.00 - 6) 2-ply	Ribbed	-	108-9955

QUICK REFERENCE GUIDE
TYRES*

Equipment	Description	Tread	Application	Part No
Speciality turf equipment				
Debris Blower 800	Tyre (20 x 10.00 - 8) 4-ply	Turf Trac R/S	-	99-7300
Pro Force Debris Blower	Tyre (18.2 x 8.50 - 8) 4-ply	Turf traction	-	119-3009
Topdresser 2300	Tyre (18 x 8.50 - 8) 4-ply	Ribbed	-	119-6343
Topdresser 2500	Tyre (18 x 9.50 - 8) 4-ply	Multi-ribbed	-	106-9691
GreensPro 1200	Tyre (16 x 6.50 - 8) 4-ply	Turf		111-5755
ProCore 648/648s	Tyre (20 x 10.00 - 10) 2-ply	Smooth	Front and rear	70-8500
Outcross 9060	Tyre (29.5 x 12.50) 12-ply	Turf	Front	136-5270
	Tyre (32 x 16.00) 12-ply	Turf	Rear	133-4894
Sand Pro*/Infield Pro				
Sand/Infield Pro 3040/5040	Tyre (22 x 11.00 - 8) 2-ply	Knobby	Front and rear	85-8290
	Tyre (22 x 11.00 - 8) 4-ply	Knobby	Front and rear	147-3671
	Tyre (22 x 11.00 - 8) 2-ply	Turf Trac R/S	Front and rear	121-9072
	Tyre (22 x 11.00 - 8) 2-ply	Smooth	Front and rear	110-3364
Sand Pro 2040Z	Tyre (16 x 7.50 - 8) 4-ply	Turf traction	Front	125-6406
	Tyre (25 x 12.00 - 9) 3-ply	Turf	Rear	125-6465
	Tyre (25 x 12.00 - 9) 2-ply	Knobby	Rear	147-3668
Field Pro 6040	Tyre (24 x 12.00 - 12) 4-ply	Turf	Rear	147-6607
	Tyre (15 x 6.00 - 6) 4-ply	Ribbed	Front	133-4724



Equipment	Application	Fig. No	Component	Year	Description	Part No		
Greensmaster walker								
Greensmaster 800/1000/1600/2000/2600	Cutting unit	14	Reel	All	Ball bearing assembly – Dual row	251-342		
		19	Front roller	All	Bearing and shaft assembly	52-3180		
		7	Groomer reel shaft	All	Ball bearing assembly – Outer seal only	251-327		
	Traction unit	7	Reel drive clutch housing	1993 and on	Ball bearing assembly – Outer seal only	251-318		
		8	Reel drive clutch	All	Ball bearing assembly – Sealed	251-336		
		14	Countershaft support	All	Ball bearing assembly – Dual row	251-338		
		8	Idler pulleys	All	Ball bearing assembly – Sealed	38-7820		
		14	Drum drive shaft	All	Ball bearing assembly – Dual row	251-338		
		7	Drum spindle/hub	1990–1999	Ball bearing assembly – Outer seal only	251-257		
		8	Drum spindle/hub	2000 and on	Ball bearing assembly – Sealed	251-82		
		13	Drum – Outer shaft bearing	1993 and on	Ball bearing assembly – Self-aligning	88-7880		
		Greensmaster Flex 1800/2100	Cutting unit	14	Reel	All	Ball bearing assembly – Dual row	251-342
				8	Roller	All	Ball bearing assembly – Sealed	251-347
8	Groomer drive belt idler			All	Ball bearing assembly – Sealed	251-259		
	Groomer drive			All	Bearing – RH reverse groomer	106-4237		
eFlex 1800/2100	Traction unit	8	Reel drive shaft	All	Ball bearing assembly – Sealed	251-336		
		13	Drum drive shaft	2001–2004	Ball bearing – Self-aligning with collar	104-0538		
		13	Drum drive shaft	2005 and on	Ball bearing – Self-aligning with collar	106-8448		
		8	Drum spindle/hub	All	Ball bearing assembly – Sealed	251-82		
Trans Pro 80/100	Trailer	16	Wheel – Inner/outer bearing	All	Roller bearing assembly – Tapered cone	254-92		
		17	Wheel – Inner/outer bearing	All	Bearing race – Tapered cup	254-72		

Equipment	Application	Fig. No	Component	Year	Description	Part No	
Greensmaster riders							
Greensmaster 3300 style cutting units	4-bolt	18	Front roller	1974 and on	Bearing and shaft assembly	21-6410	
		19	Rear roller	1974 and on	Bearing and shaft assembly	52-3180	
	Spiker	18	Front and rear rollers	1974 and on	Bearing and shaft assembly	21-6410	
		4 Bolt and SPA	16	Reel	All	Roller bearing assembly – Tapered cone	254-94
		17	Reel	All	Bearing race – Tapered cup	254-72	
		2	Reel adjustment knob	1985–1986	Thrust bearing cage assembly	257-6	
	Groomer	19	Front and rear rollers	All	Bearing and shaft assembly	52-3180	
		7	Roller brush rear roller kit	All	Ball bearing assembly – Outer seal only	85-9970	
		7	Groomer reel drive	All	Ball bearing assembly – Outer seal only	251-327	
	Spiker	7	Groomer drive shaft	All	Ball bearing assembly – Outer seal only	251-327	
		19	Front and rear rollers	1985–1992	Bearing and shaft assembly	52-3180	
	Greensmaster 3200 style cutting units						
4-Bolt and SPA	Groomer	14	Reel	1995–2000	Ball bearing assembly – Dual row	93-2489	
		9	Front roller	All	Ball bearing assembly – Outer seal only	93-2559	
		18	Wiehle front roller	All	Bearing and shaft assembly	75-1290	
		9	Rear roller	1995–1998	Ball bearing assembly – Outer seal only	93-2559	
		7	Rear roller	1999–2000	Ball bearing assembly – Outer seal only	85-9970	
		13	Rear roller brush shaft	All	Ball bearing – Self-aligning with collar	98-5208	
		4	Rear roller brush drive shaft	All	Ball bearing assembly – Single row	98-5215	
		14	Groomer reel drive	All	Ball bearing assembly – Single row	251-336	
		8	Groomer drive shaft	All	Ball bearing assembly – Sealed	95-0707	
		7	Groomer drive belt idler	All	Ball bearing assembly – Outer seal only	38-7820	
		Dethatcher	7	Front roller	1997 and on	Ball bearing assembly – Outer seal only	85-9970
			Spiker	9	Rear roller	All	Ball bearing assembly – Outer seal only
9	Rear roller			All	Ball bearing assembly – Outer seal only	93-2559	
Greensmaster 3050 style cutting units							
4-Bolt and SPA	Groomer	14	Reel	2001	Ball bearing assembly – Dual row	93-2489	
		14	Reel	2002–2003	Ball bearing assembly – Dual row	105-3827	
		19	Front roller	All	Bearing and shaft assembly	52-3180	
		7	Rear roller	All	Ball bearing assembly – Outer seal only	85-9970	
		13	Rear roller brush shaft	All	Ball bearing – Self-aligning with collar	98-5208	
		4	Rear roller brush drive shaft	All	Ball bearing assembly – Single row	98-5215	
		14	Groomer reel	All	Ball bearing assembly – Single row	95-0707	
		8	Groomer drive shaft	All	Ball bearing assembly – Sealed	251-336	
		7	Groomer drive belt idler	All	Ball bearing assembly – Outer seal only	38-7820	
		Spiker	9	Rear roller	All	Ball bearing assembly – Outer seal only	93-2559
			9	Rear roller	All	Ball bearing assembly – Outer seal only	93-2559
		Greensmaster DPA cutting units					
DPA	Groomer	14	Reel	2003–2006	Ball bearing assembly – Dual row	93-2489	
		8	Roller	All	Ball bearing assembly – Sealed	251-347	
		13	Rear roller brush shaft	All	Ball bearing – Self-aligning with collar	132-6979	
		8	Roller brush drive belt idler	All	Ball bearing assembly – Sealed	251-259	
		8	Groomer drive belt idler	All	Ball bearing assembly – Sealed	251-259	

QUICK REFERENCE GUIDE
BEARINGS*

Equipment	Application	Fig. No	Component	Year	Description	Part No
Greensmaster riders (continued)						
Greensmaster 3050	Traction unit	9	Pull frame roller	All	Ball bearing assembly – Outer seal only	133-2378
		16	Rear wheel	All	Roller bearing assembly – Tapered cone	254-78
		17	Rear wheel	All	Bearing race – Tapered cup	254-79
Greensmaster 3100-D	Traction unit	9	Pull frame roller	All	Ball bearing assembly – Outer seal only	133-2378
		16	2WD rear wheel	All	Roller bearing assembly – Tapered cone	254-78
		17	2WD rear wheel	All	Bearing race – Tapered cup	254-79
Greensmaster 3150	Traction unit	9	Pull frame roller	All	Ball bearing assembly – Outer seal only	133-2378
		8	Neutral centring device	All	Ball bearing assembly – Sealed	251-259
		8	Traction function lever	All	Ball bearing assembly – Sealed	251-259
		16	Rear wheel	All	Roller bearing assembly – Tapered cone	254-78
		17	Rear wheel	All	Bearing race – Tapered cup	254-79
Greensmaster 3200/3200-D	Traction unit	8	Neutral arm	All	Ball bearing assembly – Sealed	251-259
		8	Traction function lever	All	Ball bearing assembly – Sealed	251-259
		16	Rear wheel	All	Roller bearing assembly – Tapered cone	254-78
		17	Rear wheel	All	Bearing race – Tapered cup	254-79
Greensmaster 3250-D	Traction unit	8	Neutral centring device	All	Ball bearing assembly – Sealed	251-259
		8	Traction function lever	All	Ball bearing assembly – Sealed	251-259
		16	Rear wheel	All	Roller bearing assembly – Tapered cone	254-78
		17	Rear wheel	All	Bearing race – Tapered cup	254-79
Greensmaster 3300/3320/3400/3420	Cutting unit	8	Rear rollers	All	Ball bearing assembly – Sealed	251-347
			Groomer drive	All	Bearing – RH reverse groomer	106-4237
	Traction unit	8	Neutral centring device	All	Ball bearing assembly – Sealed	251-259
		17	Rear wheel	All	Bearing race – Tapered cup	254-72
Reelmaster						
Reelmaster 2000-D	Cutting units	13	Reel	All	Ball bearing assembly – Self-aligning	100-4926
		17	Front and rear rollers	All	Bearing race – Tapered cup	254-79
		16	Front and rear rollers	All	Roller bearing assembly – Tapered cone	254-78
		8	69 cm verticut – Roller	All	Ball bearing assembly – Sealed	251-347
	Traction unit	8	Neutral centring device	All	Ball bearing assembly – Sealed	251-259
		16	Rear wheel – Inner/outer	All	Roller bearing assembly – Tapered cone	254-94
		17	Rear wheel – Inner/outer	All	Bearing race – Tapered cup	254-72
		Reelmaster 2300-D/2600-D	Cutting units	13	Reel	All
2	Reel adjust			All	Thrust bearing cage assembly	257-6
16	Front and rear rollers			All	Roller bearing assembly – Tapered cone	254-78
Traction unit	17		Front and rear rollers	All	Bearing race – Tapered cup	254-79
	8		Neutral centring device	All	Ball bearing assembly – Sealed	251-259
Reelmaster 3100-D	Cutting units	11	2WD rear wheel	All	Ball bearing assembly – Flanged	251-321
		13	Reel	All	Ball bearing assembly – Self-aligning	100-4926
		17	Front and rear rollers	All	Bearing race – Tapered cup	254-79
		16	Front and rear rollers	All	Roller bearing assembly – Tapered cone	254-78
	Traction unit	8	69 cm verticut – Roller	All	Ball bearing assembly – Sealed	251-347
		8	Neutral centring device	All	Ball bearing assembly – Sealed	251-259
		8	Traction pedal	All	Ball bearing assembly – Sealed	251-259

Greensmaster cutting units can be attached to a variety of Greensmaster traction units. Use the Greensmaster cutting unit reference chart to help recognise cutting units by name.

QUICK REFERENCE GUIDE
BEARINGS*

Equipment	Application	Fig. No	Component	Year	Description	Part No
Reelmaster 223D/5100-D/5300-D	Cutting unit	16	Reel	All	Roller bearing assembly – Tapered cone	254-94
		17	Reel	All	Bearing race – Tapered cup	254-72
		18	Front roller	All	Bearing and shaft assembly	75-1290
		19	Rear roller	1990-1991	Bearing and shaft assembly	52-3180
		7	Rear roller	All	Ball bearing assembly – Outer seal only	85-9970
		13	Rear roller brush shaft	All	Ball bearing – Self-aligning with collar	98-5208
	Traction unit	8	Rear roller brush drive shaft	All	Ball bearing assembly – Sealed	251-336
		8	Roller brush drive belt idler	All	Ball bearing assembly – Sealed	251-259
		18	Dethatcher – Rollers	All	Bearing and shaft assembly	75-1290
		8	Compensating carrier frame	All	Ball bearing assembly – Sealed	251-259
		8	Neutral centring device	All	Ball bearing assembly – Sealed	251-259
		7	Cooling fan shaft	All	Ball bearing assembly – Outer seal only	251-318
		12	Front axle – Outer bearing	All	Roller bearing assembly	21-8180
Reelmaster 5200-D/5400-D	Cutting unit	16	Reel	All	Roller bearing assembly – Tapered cone	254-94
		17	Reel	All	Bearing race – Tapered cup	254-72
		18	Front and rear roller	1998-2001	Bearing and shaft assembly	75-1290
		7	Front and rear roller	2001-2006	Ball bearing assembly – Outer seal only	109966
	Traction unit	13	Roller brush shaft	All	Ball bearing – Self-aligning with collar	132-6979
		4	Roller brush drive shaft	All	Ball bearing assembly – Single row	98-5215
		8	Roller brush drive belt idler	All	Ball bearing assembly – Sealed	251-259
Reelmaster 5010-H/5210/5410/5510/5610	Cutting unit	18	Dethatcher – Rollers	All	Bearing and shaft assembly	75-1290
		8	Compensating carrier frame	All	Ball bearing assembly – Sealed	251-259
		8	Neutral centring device	All	Ball bearing assembly – Sealed	251-259
		7	Cooling fan shaft	All	Ball bearing assembly – Outer seal only	251-318
	Traction unit	12	Front axle – Outer bearing	All	Roller bearing assembly	21-8180
		16	2WD rear wheel – In/out	All	Roller bearing assembly – Tapered cone	254-94
		17	2WD rear wheel – In/out	All	Bearing race – Tapered cup	254-72
Reelmaster 5010-H/5210/5410/5510/5610	Cutting unit	8	4WD rear axle knuckle	1998-1999	Ball bearing assembly – Sealed	251-347
		14	Reel	All	Ball bearing assembly – Dual row	93-2489
		7	Front and rear roller	2006-2007	Ball bearing assembly – Outer seal only	109966
		7	Front and rear roller	2008 and on	Ball bearing assembly – Outer seal only	112-5290
	Traction unit	9	Roller brush drive shaft	All	Ball bearing assembly – Outer seal only	93-2559
		14	Roller brush shaft	All	Ball bearing assembly – Single row	95-0707
		9	Groomer drive shaft	All	Ball bearing assembly – Outer seal only	93-2559
Traction unit	14	Groomer reel	All	Ball bearing assembly – Single row	95-0707	
	16	2WD rear wheel – In/out	All	Roller bearing assembly – Tapered cone	254-94	
	17	2WD rear wheel – In/out	All	Bearing race – Tapered cup	254-72	
		7	Pedal assembly	All	Bearing – Mount, flange	256-236

*Prices subject to change without notice. Please see your Parts Catalogue or Master Parts Viewer to ensure that the correct part is ordered, as the part you need may not be listed. toro.com/parts

Equipment	Application	Fig. No	Component	Year	Description	Part No		
Reelmaster (continued)								
Reelmaster 5500-D	Cutting units	14	Reel	All	Ball bearing assembly – Dual row	93-2489		
		7	Roller	All	Ball bearing assembly – Outer seal only	109966		
		13	Roller brush shaft	All	Ball bearing – Self-aligning with collar	132-6979		
		4	Roller brush drive shaft	All	Ball bearing assembly – Single row	98-5215		
		8	Roller brush drive belt idler	All	Ball bearing assembly – Sealed	251-259		
		14	Groomer reel	All	Ball bearing assembly – Single row	95-0707		
		8	Dethatcher – Roller	All	Ball bearing assembly – Sealed	251-347		
		8	Neutral centring device	All	Ball bearing assembly – Sealed	251-259		
	Traction unit	7	Cooling fan shaft	All	Ball bearing assembly – Outer seal only	251-318		
		12	Front axle – Outer bearing	All	Roller bearing assembly	21-8180		
		16	2WD rear wheel – In/out	All	Roller bearing assembly – Tapered cone	254-94		
		17	2WD rear wheel – In/out	All	Bearing race – Tapered cup	254-72		
		Reelmaster 6500-D/6700-D	SPA cutting units	14	Reel	All	Ball bearing assembly – Dual row	93-2489
				7	Roller	All	Ball bearing assembly – Outer seal only	109966
				13	Roller brush shaft	All	Ball bearing – Self-aligning with collar	132-6979
				4	Roller brush drive shaft	All	Ball bearing assembly – Single row	98-5215
				8	Roller brush drive belt idler	All	Ball bearing assembly – Sealed	251-259
14	Groomer reel			All	Ball bearing assembly – Single row	95-0707		
DPA cutting units	8		Dethatcher – Roller	All	Ball bearing assembly – Sealed	251-347		
			Rear roller bearing	All	Bearing – Rear roller brush	106-4237		
	14		Reel	All	Ball bearing assembly – Dual row	93-2489		
	7		Front and rear roller	2007	Ball bearing assembly – Outer seal only	109966		
Traction unit	7	Front and rear roller	2008 and on	Ball bearing assembly – Outer seal only	112-5290			
	9	Roller brush drive shaft	All	Ball bearing assembly – Outer seal only	93-2559			
	14	Roller brush shaft	All	Ball bearing assembly – Single row	95-0707			
	9	Groomer drive shaft	All	Ball bearing assembly – Outer seal only	93-2559			
	14	Groomer reel	All	Ball bearing assembly – Single row	95-0707			
		Rear roller brush	All	Bearing – Rear roller brush	106-4237			
	16	2WD rear wheel – Inner	All	Roller bearing assembly – Tapered cone	254-106			
	17	2WD rear wheel – Inner	All	Bearing race – Tapered cup	254-107			
	16	2WD rear wheel – Outer	All	Roller bearing assembly – Tapered cone	254-92			
	17	2WD rear wheel – Outer	All	Bearing race – Tapered cup	254-72			
Reelmaster 3500-D	Cutting unit	15	Reel	All	Ball bearing assembly – Dual row ext. Race	59-6140		
		16	Front and rear rollers	All	Roller bearing assembly – Tapered cone	254-78		
		17	Front and rear rollers	All	Bearing race – Tapered cup	254-79		
		15	Dethatcher – Reel	All	Ball bearing assembly – Dual row ext. Race	59-6140		
	Traction unit	8	Neutral centring device	All	Ball bearing assembly – Sealed	251-259		
		16	2WD rear wheel – Inner	All	Roller bearing assembly – Tapered cone	254-106		
		17	2WD rear wheel – Inner	All	Bearing race – Tapered cup	254-107		
		16	2WD rear wheel – Outer	All	Roller bearing assembly – Tapered cone	254-92		
		17	2WD rear wheel – Outer	All	Bearing race – Tapered cup	254-72		

Equipment	Application	Fig. No	Component	Year	Description	Part No	
Reelmaster 3550-D	Cutting unit	8	Front and rear roller	3013	Bearing – Sealed	140-5510	
		7	Front and rear roller	3013	Bearing – Stainless steel	112-5290	
	Traction unit	8	Traction control assembly	2013	Ball bearing	251-259	
			Hydraulic pump assembly	2013	Bearing – Cup	104-4046	
			Hydraulic pump assembly	2013	Bearing – Cone	98-4639	
			Hydraulic pump assembly	2013	Bearing – Thrust	252-66	
Reelmaster 4000-D	Cutting unit	15	Reel	All	Ball bearing assembly – Dual row ext. Race	59-6140	
		16	Front and rear rollers	All	Roller bearing assembly – Tapered cone	254-78	
Reelmaster 4500-D	Cutting unit	17	Front and rear rollers	All	Bearing race – Tapered cup	254-79	
		15	Dethatcher – Reel	All	Ball bearing assembly – Dual row ext. Race	59-6140	
		16	2WD rear wheel – Inner	All	Roller bearing assembly – Tapered cone	254-106	
	Traction unit	17	2WD rear wheel – Inner	All	Bearing race – Tapered cup	254-107	
		16	2WD rear wheel – Outer	All	Roller bearing assembly – Tapered cone	254-92	
		17	2WD rear wheel – Outer	All	Bearing race – Tapered cup	254-72	
Reelmaster 7000-D	Cutting unit	14	Reel	All	Ball bearing assembly – Dual row	93-2489	
		7	Rear roller	All	Ball bearing assembly – Outer seal only	112-5290	
Reelmaster transport frame	Traction unit	16	Wheel	All	Roller bearing assembly – Tapered cone	254-62	
		17	Wheel	All	Bearing race – Tapered cup	115-9471	
	Cutting unit	16	Reel	All	Roller bearing assembly – Tapered cone	254-94	
		17	Reel	All	Bearing race – Tapered cup	254-72	
		2	Reel adjustment knob	All	Thrust bearing cage assembly	257-6	
		16	Drive wheel gear hub	All	Roller bearing assembly – Tapered cone	254-78	
		17	Drive wheel gear hub	All	Bearing race – Tapered cup	254-79	
		3	Idler pinion gear	All	Needle bearing assembly	252-6	
16	Rear roller	All	Roller bearing assembly – Tapered cone	254-78			
17	Rear roller	All	Bearing race – Tapered cup	254-79			
Groundsmaster							
Groundsmaster 360	Traction unit	17	2WD wheel motor and spindle assembly	All	Bearing race – Tapered cup	254-72	
		16	2WD wheel motor and spindle assembly	All	Roller bearing assembly – Tapered cone	254-92	
Groundsmaster 1200			Bearing – Flange, 2 bolt	All	Bearing – Flange, 2-bolt	140-7039	
Groundsmaster 3280-D/3320	132 cm (52") SD deck	6	Front castor wheel	All	Roller bearing cage assembly	62-5570	
		6	Front castor wheel	All	Bearing – Flange	62-5580	
	152/158/183 cm (60"/62"/72")	10	Front castor wheel	All	Ball bearing assembly – Sealed	120-5378	
		Traction unit	8	Neutral centring device	All	Ball bearing assembly – Sealed	251-259
			12	Front axle – Outer bearing	All	Roller bearing assembly	21-8180
			16	2WD rear wheel – In/out	All	Roller bearing assembly – Tapered cone	254-94
			17	2WD rear wheel – In/out	All	Bearing race – Tapered cup	254-72
Groundsmaster 4000-D/4100-D	335/315 cm (132"/124") RD	10	Front castor wheel	All	Ball bearing assembly – Sealed	120-5378	
	Debris Blower		Impact arm	2010 and on	Bearing – Plastic	105-4552	
		10	Front castor wheel	All	Ball bearing assembly – Sealed	120-5378	
Rotary broom	10	Front castor wheel	All	Ball bearing assembly – Sealed	120-5378		

QUICK REFERENCE GUIDE
BEARINGS*

Equipment	Application	Fig. No	Component	Year	Description	Part No
Groundsmaster (continued)						
Groundsmaster 3500-D/3505-D	69 cm (27") RD deck	10	Front rollers	All	Ball bearing assembly – Sealed	120-3366
		8	Rear roller	2000–2003	Ball bearing assembly – Sealed	251-347
		7	Rear roller	2004–2006	Ball bearing assembly – Outer seal only	109966
	Traction unit	7	Rear roller	2007 and on	Ball bearing assembly – Outer seal only	112-5290
		8	Neutral centring device	All	Ball bearing assembly – Sealed	251-259
		16	2WD rear wheel – In/out	All	Roller bearing assembly – Tapered cone	254-94
		17	2WD rear wheel – In/out	All	Bearing race – Tapered cup	254-72
Groundsmaster 4500-D/4700-D	69 cm (27") RD deck	10	Front rollers	All	Ball bearing assembly – Sealed	120-3366
		8	Rear roller	2000–2003	Ball bearing assembly – Sealed	251-347
		7	Rear roller	2004–2006	Ball bearing assembly – Outer seal only	109966
		7	Rear roller	2007 and on	Ball bearing assembly – Outer seal only	112-5290
		Groundsmaster 5900/5910				
Traction unit			Piston pump assembly	2013 and on	Bearing – Roller	125-5279
			Centre front deck	All	Bearing – Spherical	105-7441
			Double-driven spindle	All	Bearing assembly	110-8297
			High-driven spindle	All	Bearing assembly	110-8297
			Driving spindle	All	Bearing assembly	110-8297
			Driving spindle assembly	2016 and on	Bearing spacer set	108-1954
			25.4 cm wheel assembly	2011 and on	Bearing – 25.4 cm wheel	120-3366
			LH deck connection	2008 and on	Cross and bearing kit	104-4299
Groundsmaster 7200/7210	158/183 cm (62"/72") deck	16	Front castor wheel fork	All	Roller bearing assembly – Tapered cone	254-106
		17	Front castor wheel fork	All	Bearing race – Tapered cup	254-107
Aerator						
ProCore 660/880	Aerator	8	Flywheel shaft	All	Ball bearing assembly – Sealed	100-5396
		8	Stomper arm	All	Ball bearing assembly – Sealed	100-5386
		10	Bottom link arm	All	Ball bearing assembly – Sealed	100-7621
ProCore 648/648s	Aerator	8	Neutral centring device	All	Ball bearing assembly – Sealed	251-259
		8	Crank arm	All	Ball bearing assembly – Sealed	105-0965
		8	Stomper arm	All	Ball bearing assembly – Sealed	106-8871
ProCore 864/1298	Aerator	8	Crank arm housing	All	Ball bearing assembly – Sealed	110-4555
		8	Stomper arm	All	Ball bearing assembly – Sealed	110-4556
		5	Drive shaft (shielded)	All	Cross and bearing assembly	110-4635
		5	Drive shaft	All	Cross and bearing assembly	110-4641
ProCore Processor	Aerator	8	Drive pulley support	All	Ball bearing assembly – Sealed	106-8871
		16	Wheel – Inner	All	Roller bearing assembly – Tapered cone	254-106
		17	Wheel – Inner	All	Bearing race – Tapered cup	254-107
		16	Wheel – Outer	All	Roller bearing assembly – Tapered cone	254-92
		17	Wheel – Outer	All	Bearing race – Tapered cup	254-72

QUICK REFERENCE GUIDE
BEARINGS*

Equipment	Application	Fig. No	Component	Year	Description	Part No
Workman						
Workman MDE	Vehicle	8	Steering gearbox	All	Ball bearing assembly – Sealed	251-82
		8	Steering gearbox	All	Ball bearing assembly – Sealed	38-7820
		16	2WD front wheel – Inner	All	Roller bearing assembly – Tapered cone	254-106
		17	2WD front wheel – Inner	All	Bearing race – Tapered cup	254-107
		16	2WD front wheel – Outer	All	Roller bearing assembly – Tapered cone	254-94
		17	2WD front wheel – Outer	All	Bearing race – Tapered cup	254-72
		Workman MD/MDX	Vehicle	8	Steering gearbox	All
8	Steering gearbox			All	Ball bearing assembly – Sealed	38-7820
8	Shift lever detent			All	Ball bearing assembly – Sealed	251-259
16	2WD front wheel – Inner			All	Roller bearing assembly – Tapered cone	254-106
17	2WD front wheel – Inner			All	Bearing race – Tapered cup	254-107
16	2WD front wheel – Outer			All	Roller bearing assembly – Tapered cone	254-94
17	2WD front wheel – Outer			All	Bearing race – Tapered cup	254-72
Workman HD/HDX/HDX-D/HDX Auto	Vehicle	5	Rear axle Shafts	All	Cross and bearing assembly	92-4187
		20	Clutch release	All	Thrust bearing with brackets	110-2538
		4	Transaxle main shaft	All	Ball bearing assembly – Single row	251-8
			Gearshaft assembly	All	Bearing – Ball	251-346
Workman GTX	Vehicle	16	Front frame and suspension	All	Bearing – Cone, tapered	254-94
		17	Front frame and suspension	All	Bearing – Cup, tapered	254-72
		8	Pedal and control	All	Bearing – Ball	251-259
Workman UTX petrol/diesel	Steering	14	Wheel bearing	All	Front bearings	133-7272
		14	Wheel bearing	All	Rear bearings	133-7272
Multi Pro sprayers						
Multi Pro sprayer 1750	Traction unit	16	Gearbox output shaft	All	Roller bearing assembly – Tapered cone	254-94
		17	Gearbox output shaft	All	Bearing race – Tapered cup	254-72
		19	Rear axle housings	All	Bearing and retainer set	87-1970
		5	Rear axle Shafts	All	Cross and bearing assembly	92-4187
		16	2WD front wheel – In/out	All	Roller bearing assembly – Tapered cone	254-92
		17	2WD front wheel – In/out	All	Bearing race – Tapered cup	254-72
			Gearshaft assembly	All	Bearing – Ball	251-346
Multi Pro sprayer 5800-D	Traction unit	8	Front wheel	All	Bearing – Spindle assembly	93-6587
		17	Front wheel	All	Bearing – Spindle assembly cup	115-9471
		16	Front wheel	All	Bearing – Spindle assembly cone	254-62
Speciality turf equipment						
ProStripe 560		8	Lower assembly	All	Bearing – Lower assembly	111-1276
		8	Lower assembly	All	Roller bearing – Lower assembly	111-1492
ProCore® Core Processor	Aerator	16	Wheel – Inner	All	Roller bearing assembly – Tapered cone	254-106
		17	Wheel – Inner	All	Bearing race – Tapered cup	254-107
		16	Wheel – Outer	All	Roller bearing assembly – Tapered cone	254-92
		17	Wheel – Outer	All	Bearing race – Tapered cup	254-72
Vista	Steering	16	Wheel bearing	All	Bearing – Cone, tapered	254-94

QUICK REFERENCE GUIDE BELTS*

Equipment	Description	Application	Part No
Greensmaster riders			
Greensmaster 1000/1600/2600	Belt	Reel drive	65-6200
	Belt	Transport wheel drive	65-6210
	Belt	Drum drive	65-9080
	Belt	Groomer drive	65-9700
	V-belt (set of 2)	Countershaft drive (1990-95 – 04050 and 04051)	65-7270
	V-belt (set of 2)	Countershaft drive (1995 and on, 04052)	92-9218
Greensmaster 3000-D	V-belt	Alternator/water pump drive (1989-1996)	67-4410
Greensmaster cutting units	Multi-row V-belt	Groomer drive (3050 and 3200 Style cutting units)	95-0728
	Belt	Groomer drive (3/300/3000 Style cutting units)	65-9700
	Belt	Groomer drive (DPA cutting units)	120-2763
	V-belt	Right-hand roller brush assembly	105-5720
Greensmaster 3300/3320/3400 3420	V-belt	Alternator/engine assembly	119-4486
	V-belt	Generator and engine frame assembly	117-4464
Reelmaster			
Reelmaster 3100-D	Multi-row V-belt	Pump drive	95-8730
	V-belt	Alternator drive	130-1241
Reelmaster 3500-D/4000-D/4500-D	Belt	Reel drive	47-7160
	Belt	Dethatcher reel drive	47-7160
	Belt	Timing belt	74-8830
	V-belt	Alternator drive	98-7705
	V-belt	Alternator and pulley system	104-3494
Reelmaster 5100-D/5300-D	V-belt	Alternator/water pump drive	67-4410
	V-belt	Alternator drive	98-9676
Reelmaster 5200-D/5400-D	Belt	Rear roller brush drive	108-6709
	V-belt	Cooling fan drive	98-3921
Reelmaster 5500-D	V-belt	Alternator drive	98-9676
	Belt	Rear roller brush drive	108-6713
	Belt	Groomer drive	108-0617
	V-belt	Alternator drive	98-9676
Reelmaster 5210/5410	V-belt	Alternator drive	98-9676
	Belt	Rear roller brush drive	110-1746
	Belt	Groomer drive	108-4497

Equipment	Description	Application	Part No
Reelmaster 5510/5610	V-belt	Alternator drive	98-9676
	Belt	Rear roller brush drive	110-1747
Reelmaster 6500-D/6700-D	Belt	Groomer drive	110-1716
	Multi-row V-belt	Alternator drive – Peugeot	94-3256
	V-belt	Alternator drive – Kubota	98-9676
	Belt	Rear roller brush drive	108-6713
	Belt	Timing belt (1995-2001 serial up to 210999999)	74-8830
	Belt	Rear roller brush drive (SPA cutting units)	108-6713
	Belt	Groomer drive (SPA cutting units)	108-0617
	Belt	Rear roller brush drive (DPA cutting units)	110-1747
Reelmaster 7000-D	Belt	Groomer drive (DPA cutting units)	110-1716
	Belt	Alternator/pulley assembly	120-5824
Groundsmaster			
Groundsmaster 1200	V-belt	Groundsmaster 1200 deck	137-3644
	V-belt	Groundsmaster 1200 deck	137-3645
Groundsmaster 3280-D	Multi-row V-belt	PTO drive	63-6240
	V-belt	Alternator/water pump drive	104-3494
Groundsmaster 3310	V-belt	Air conditioning assembly	106-4498
Groundsmaster 3320	Multi-row V-belt	PTO drive	63-6240
	V-belt	Alternator/water pump drive	99-9156
Groundsmaster 360	V-belt	Engine component assembly	115-0123
	V-belt	Air conditioning assembly	117-3399
	V-belt	183 cm (72") Guardian deck right spindle drive	110-9592
	V-belt	183 cm (72") Guardian deck left spindle drive	110-9593
	V-belt	183 cm (72") SD deck left spindle drive	110-9591
	V-belt	183 cm (72") SD deck right spindle drive	110-9590
	V-belt	Alternator drive	98-9676
	Multi-row V-belt	Hydrostat drive	99-3619
Groundsmaster 4000-D	V-belt	Spindle drive	55-7660
	V-belt	Alternator drive	98-7705

Equipment	Description	Application	Part No
Groundsmaster 4100-D	V-belt	Alternator drive	98-7705
Groundsmaster 4300-D	V-belt	Fan/alternator	98-9676
Groundsmaster 4500-D/4700-D	V-belt	Alternator drive	98-7705
Groundsmaster 5900/5910	V-belt	Centre deck – Spindle drive	112-7376
	V-belt	Centre and wing deck spindle drive	112-7377
Groundsmaster 7200/7210	V-belt	Alternator drive	98-9676
	V-belt	158 cm (62") Guardian deck left spindle drive	110-9595
	V-belt	158 cm (62") Guardian deck right spindle drive	110-9594
	V-belt	183 cm (72") Guardian deck left spindle drive	110-9593
	V-belt	183 cm (72") Guardian deck right spindle drive	110-9592
	V-belt	183 cm (72") SD deck left spindle drive	110-9591
	Belt drive	152 cm (60") SD deck – Spindle drive	105-0887
	V-belt	152 cm (60") SD deck – Spindle drive	67-6920
Aerator			
ProCore 440	V-belt	183 cm (72") SD deck right spindle drive	110-9590
	Multi-row V-belt	Stomper arm drive	100-7644
ProCore 660/880	Multi-row V-belt	Tine drive	100-5392
	Multi-row V-belt	Stomper arm drive	100-5392
ProCore 648	3V-belt	Primary drive belt	105-0989
	4-groove banded belt	Secondary drive belt	105-0991
	V-belt	Hydrostat pump assembly	107-7513
ProCore 648s	3V-belt	Primary drive belt	105-0989
	Banded V-belt	Clutch assembly	140-8882
	V-belt	Hydrostat pump assembly	107-7513
ProCore 864/1298	Multi-row belt	Secondary drive belt	110-4327

QUICK REFERENCE GUIDE BELTS*

Equipment	Description	Application	Part No
Workman			
Workman MD	V-belt	Starter	112-3131
	Multi-row belt	Transmission drive	99-7143
Workman MDX	V-belt	Starter	112-2911
	Multi-row belt	Transmission drive	112-2912
	V-belt	Engine, clutch/air cleaner	136-6296
Workman MDX-D	V-belt	Starter	112-2511
Workman HD	V-belt	Hydraulic pump drive	87-8370
Workman HDX/HDX-D	V-belt	Alternator/water pump drive (2009-2013)	117-4922
	V-belt	Alternator/water pump drive (2013 and on)	110-3796
Workman HDX Auto	CVT Belt	Belt-Gearbox assembly	121-9612
Workman UTX petrol	V-belt	Engine/transaxle/clutch	145-7789
	Water pump belt	Water pump assembly	147-2664
Workman UTX diesel	V-belt	Engine/transaxle/clutch	145-7789
	Water pump belt	Cooling water system assembly	145-7833
Multi Pro			
1750	Belt synchro-nous	Engine mount	125-0765
5800	V-belt	Alternator drive	98-9676
Speciality turf equipment			
ProCore Core Processor	V-belt	Engine drive (set of 3)	110-2772
	V-belt	Chopper drive	115-8957
	Belt	Brush drive	112-4254
	V-belt	Corner shaft	115-2951
ProCore 648	3V-belt	Primary belt	105-0989
	4V-belt banded	Secondary belt	105-0991
	V-belt	Hydrostat pump assembly	107-7513
ProCore 648s	3V-belt	Primary belt	105-0989
	V-belt banded	Clutch assembly	140-8882
	V-belt	Hydrostat pump assembly	107-7513
ProStripe 560	Belt	Belt – Variator (520)	411024
Field Pro 6040	V-belt	Engine assembly	110-6973
Vista	V-belt	Engine assembly	131-8567
	V-belt traction	Engine and transaxle assembly	63-2951
Outcross 9060	V-belt	Cab A/C compressor assembly	138-8000
	V-belt	Water pump assembly	127-4771

QUICK REFERENCE GUIDE
ROLLERS*

Equipment	Description	Length (inches)	Length (centimetres)	Part No
Groundsmaster				
Groundsmaster 3500-D/3505-D/4000-D/ 4100-D/4500-D/4700-D/ 5900-D/5910/7200/ 7210/360	Roller assembly – UHMW (Groundsmaster 3500/4300/4500/4700)			131-7800
	Ballast kit for UHMW roller assembly			136-2881
	Ballast kit for UHMW roller assembly – 55.9 cm (22") CU			136-2915
	Roller assembly			136-2908
	Roller and Bracket Kit			112-5291
	Roller assembly			137-6141
	Centre deck roller			93-4803
	Centre deck roller			68-6710
	Plastic roller (Groundsmaster 4500-D/4700-D)			105-9816
	Roller (Groundsmaster 3500-D/4300/4500-D/4700-D)			104-1093
	Roller (Groundsmaster 4000-D/4100-D/7200/7210)			29-4820
	Rear roller (Groundsmaster 4300-D)			137-6143
	Greensmaster walkers			
Greensmaster 800/1000/1600/ 2000/2600	Narrow Wiehle roller assembly (Greensmaster 800)	19.1	48.5	99-6240
	Wide Wiehle roller assembly – Cast (Greensmaster 1000)	22.15	56.3	71-1550
	Wiehle Roller assembly – Aluminium (Greensmaster 1000)	22.15	56.3	88-6790
	Wiehle Roller assembly – 0.5 cm spacing (Greensmaster 1000/2000)	22.15	56.3	99-6241
	Wiehle Roller assembly (Greensmaster 1600/2600)	27.31	69.4	93-9039
	Full roller assembly (Greensmaster 1000)	22.15	56.3	52-3170
	Full roller assembly (Greensmaster 1600)	27.31	69.4	95-0930
	Full roller assembly (Greensmaster 800)	19.1	48.5	104-2640
	Full roller assembly 53.3 cm (Greensmaster 1000)	22.15	56.3	104-2642
	Greensmaster 1018	Full roller assembly	18	45.7
Wiehle roller interlaced narrow assembly		18	45.7	147-1144
Roller assembly, extended Wiehle				140-9214
Rear roller assembly, 45.7 cm				140-9258
Greensmaster 1021	Full roller	21	53.3	147-1183
	Wiehle roller wide assembly	21	53.3	138-1621
	Rear roller assembly, 53.3 cm			140-9259
Greensmaster 1026	Full roller assembly	26	66	147-1201
	Wiehle roller wide assembly	26	66	138-1622
Greensmaster Flex 18/21	Full rear roller assembly (Flex 21)	22.15	56.3	140-5560
	Wiehle roller assembly – Wide spacing (Flex 21)	22.15	56.3	04256
	Wiehle roller assembly – Narrow spacing (Flex 21)	22.15	56.3	04255
	Wiehle roller tube – Narrow spacing	22.15	56.3	104-0540
	6.4 cm full roller assembly (Flex 18)	19.15	48.6	120-9611
	Tube – 5.1 cm full roller (Flex 18)	19.15	48.6	110-2220
	Wiehle roller assembly – Wide spacing (Flex 18)	19.15	48.6	120-9609
	Tube – Wiehle narrow spacing (Flex 18)	19.15	48.6	110-2221
	Auxiliary roller assembly	N/A	N/A	108-4339
	Wide Wiehle roller kit	19.15	48.6	120-9609
	Steel roller	22.15	56.3	107-3509

QUICK REFERENCE GUIDE
ROLLERS*

Equipment	Description	Length (inches)	Length (centimetres)	Part No
Greensmaster riders				
Greensmaster 3250 cutting units	Rear roller assembly (4-bolt adjustment cutting unit)	20.75	52.7	95-2910
	Anti-scalp roller Greensmaster 3250	N/A	N/A	99-4210
	Full roller assembly	22.15	56.3	140-5560
	Wiehle roller tube	22.15	56.3	104-0540
	Wiehle roller assembly (0.5 cm spacing)	22.15	56.3	04255
	Wiehle roller assembly (2.4 cm spacing)	22.15	56.3	04256
Greensmaster Dethatcher/Tri-Roller/ Spiker assemblies	Steel roller (3250)	22.15	56.3	107-3509
	Roller assembly	19.38	49.2	95-5943
	Anti-scalp roller	N/A	N/A	99-4210
Greensmaster 3300/3320/3400/3420	Rear roller assembly (Spiker/Tri-Roller)	20.75	52.7	99-1615
	Rear full roller assembly	22.15	56.3	140-5560
Reelmaster	Steel roller	22.15	56.3	107-3509
	69 cm (27") Roller assembly	N/A	N/A	61-0410
	81 cm (32") Solid roller assembly	N/A	N/A	94-4982
	69 cm (27") Wiehle roller tube	27.78	70.6	104-1386-0P
	69 cm (27") Wiehle roller assembly (1993–2002)	27.64	70.2	92-1846
	69 cm (27") Wiehle roller assembly (2003 and up)	27.75	70.2	104-1385
	69 cm (27") Verticutter roller Reelmaster 3100 (2006 and up)	N/A	N/A	108-4293
	69 cm (27") Full front roller assembly (2010 and up)	27	69	137-6124
	69 cm (27") Rear roller assembly (2010 and up)	27	69	137-6123
	69 cm (27") Plastic shoulder roller (2010 and up)	27	69	119-0631
	81 cm (32") Wiehle roller assembly (1993–2002)	32.4	82.3	94-4993
	81 cm (32") Wiehle roller assembly (2003 and up)	32.4	82.3	104-1388
	81 cm (32") Full front roller assembly (2010 and up)	N/A	N/A	137-6127
	81 cm (32") Wiehle roller assembly (2010 and up)	32.4	82.3	117-0990
	81 cm (32") Plastic shoulder roller assembly (2010 and up)	32.62	82.8	119-0640
	69 cm (27") Long rear roller assembly	27	69	137-6123
	69 cm (27") Full front roller assembly	27	69	137-6124
69 cm (27") Short rear roller assembly	27	69	137-6118	

QUICK REFERENCE GUIDE
ROLLERS*

Equipment	Description	Length (inches)	Length (centimetres)	Part No
Reelmaster (continued)				
Reelmaster 3500-D/4500-D	Rear roller assembly	30.1	76.5	59-5630
	Wiehle roller assembly (62.2 cm roller)	2.75	7	62-6130
	Wiehle roller assembly (62.2 cm roller)	33.25	84.5	84-6080
	Front roller assembly (62.2 cm roller)	30.1	76.5	59-5630
Reelmaster 5100-D/5200-D/5300-D/5500-D	Wiehle roller assembly	23.22	59	75-1520
	Premium rear roller assembly	19.24	48.9	94-0694
	Roller assembly	21.87	55.6	100-2536
Reelmaster dethatching reel parts 5100-D/5200-D/5300-D/5500-D	Rear roller assembly	23	58.4	137-6107
	Wiehle roller assembly	23.22	59	75-1520
Reelmaster 5010-H/5210/5410 5510/5610	6.4 cm short rear roller assembly (Reelmaster 5210/5410)	20.5	52.1	137-6105
	6.4 cm long rear roller assembly (Reelmaster 5210/5410)	23	58.4	137-6107
	7.6 cm dia. roller assembly	23	58.4	137-6113
	7.6 cm short rear roller assembly (Reelmaster 5210/5410)	20.5	52.1	137-6117
	6.4 cm short rear roller tube (Reelmaster 5210/5410)	17.88	45.4	137-6104
	7.6 cm long rear roller tube (Reelmaster 5210/5410)	20.38	51.8	137-6112
	7.6 cm full front roller assembly (Reelmaster 5210/5410/5510/5610)	24.5	62.2	137-6111
	6.4 cm full front roller assembly	24.5	62.2	137-6109
	6.4 cm full front roller tube (Reelmaster 5210/5410/5510/5610)	21.88	55.6	137-6108
	Plastic-shouldered front roller assembly	24.5	62.2	114-5421
	Front plastic shoulder roller tube	24.5	62.2	114-5422
	Plastic Wiehle front roller assembly	24.5	62.2	114-5400
	Plastic Wiehle front roller assembly	24.5	62.2	114-5401
	Kickstand roller (Verticutter)	N/A	N/A	108-4293
	Reelmaster 5500-D/6500-D/6700-D	7.6 cm dia. roller assembly	23	58.4
7.6 cm full roller assembly		23	58.4	99-5749
Rear roller assembly 6.4 cm x 52.1 cm		20.5	52.1	98-7966
Wiehle roller tube assembly		23	58.4	100-9905-0P
Wiehle roller assembly		23	58.4	100-9906
Reelmaster 6500-D/6700-D DPA cutting units and Verticutter rollers	Shoulder Wiehle roller assembly	23	58.4	99-8675
	7.6 cm dia. roller assembly	23	58.4	137-6113
	6.4 cm long rear roller assembly	23	58.4	137-6107
	7.6 cm short rear roller assembly	20.5	52.1	137-6117
	7.6 cm long rear roller tube	20.38	51.8	137-6112
	Plastic Wiehle front roller assembly	24.5	62.2	114-5400
	Front plastic Wiehle roller tube	24.5	62.2	114-5401
	Plastic-shouldered front roller assembly	24.5	62.2	114-5421
	Front plastic-shouldered roller tube	24.5	62.2	114-5422
	7.6 cm full front roller assembly	24.5	62.2	137-6111
6.4 cm full front roller tube (Verticutter)	24.5	62.2	137-6109	

QUICK REFERENCE GUIDE
ROLLERS*

Equipment	Description	Length (inches)	Length (centimetres)	Part No
Reelmaster 7000-D	Plastic shoulder roller assembly	28	71.1	119-0630
	Plastic Wiehle roller assembly	28	71.1	117-0960
	Full front roller assembly	28	71.1	137-6121
	7.6 cm rear roller assembly (DPA)	28	71.1	137-6120
	Short rear roller assembly	20.5	52.1	137-6118
	Plastic shouldered roller	32.6	82.8	119-0641
	7.6 cm roller tube assembly	20.38	51.8	137-6112
	69 cm plastic Wiehle roller	28	71.1	117-0959
	81.3 cm plastic Wiehle roller	32.6	82.8	117-0989
	69 cm full front roller assembly	27	69	137-6124
	69 cm rear roller assembly	27	69	137-6123
	69 cm plastic shoulder roller	27	69	119-0631
	81.3 cm full front roller assembly	N/A	N/A	137-6127
	81.3 cm Wiehle roller assembly	32.4	82.3	117-0990
	81.3 cm plastic shoulder roller assembly	32.62	82.8	119-0640
Reelmaster 3550/3555/3575	45.7 cm plastic Wiehle roller assembly	20.5	52.1	112-1704
	45.7 cm full front roller assembly	20.5	52.1	137-6116
	45.7 cm plastic shoulder roller assembly	20.5	52.1	112-1733
	55.9 cm plastic Wiehle roller assembly	24.5	62.2	114-5400
	55.9 cm full front roller assembly	24.5	62.2	137-6111
	55.9 cm plastic shoulder roller assembly	24.5	62.2	114-5421
	45.7 cm short rear roller assembly	17	43.2	137-6103
	45.7 cm long rear roller assembly	19	48.3	137-6101
	Long rear roller assembly (55.9 cm – 6.4 cm dia.)	23	58.4	137-6107
	Short rear roller assembly (55.9 cm – 6.4 cm dia.)	20.5	52.1	137-6105
Speciality				
ProCore	Rear roller kit (ProCore 648)			110-4444
	Rear roller kit (ProCore SR75)			121-6903-03
	Roller assembly (ProCore 864)			110-4252-03
Sand Pro	Roller assembly (Sand Pro 3040/5040)			136-2908
	Roller drive assembly (Sand Pro 3040/5040)			104-1093
ProStripe	Rear roller (ProStripe 560)			560031W



Your day starts early.
Make the most of it.

A full tee sheet requires a full day's work. From running sprinklers to mowing greens, tackle today's to-do list with peace of mind, knowing that you have the tools to solve tomorrow's challenges. Like you, we're always thinking ahead. Always solving. Always evolving.

Find your nearest distributor at toro.com.



/TheToroCompany
 /ToroCompany
 /ToroCompanyEurope



TORO PROTECTION PLUS™

EXTENDED PROTECTION PLAN

Run your maintenance budget at peak efficiency

The Toro Protection Plus™ (TPP) extended protection plan eliminates the hit that your maintenance budget can take when the unforeseen happens. Coverage is available for new equipment, pre-owned equipment and most Toro attachments and accessories. Just choose the plan that fits your needs.

\$0 deductible for parts and labour on covered repairs | Remaining coverage is transferable if ownership changes



Learn More: at toro.com/tpp